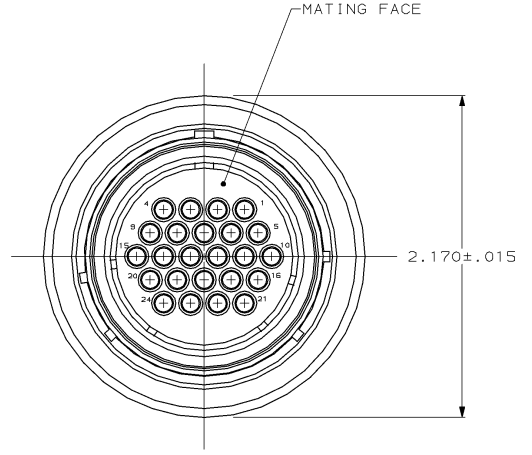
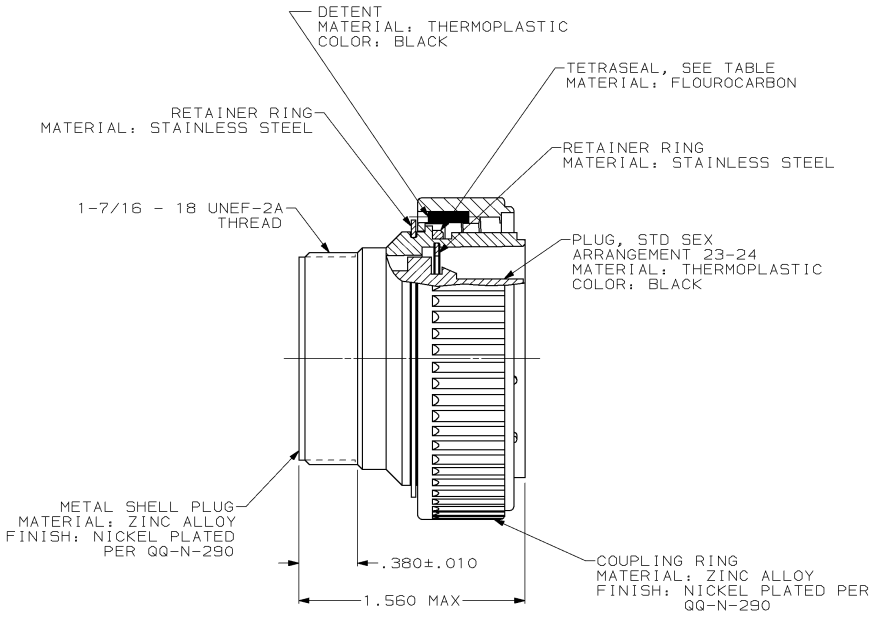


DRAWING MADE IN THIRD ANGLE PROJECTION
 THIS DRAWING IS UNPUBLISHED. RELEASED FOR PUBLICATION
 © COPYRIGHT 19 BY AMP INCORPORATED. ALL INTERNATIONAL RIGHTS RESERVED.

LOC	DIST	P	F	ZONE	LTR	REVISIONS	DATE	APPD
BD	35					M REDRAWN	6-25-91	-
						N REV PER ECN 805454	05/26/92	KB
						P OBS -3 PER EC 0020-0394-93	11/17/94	RK
						R SUPSD -3 & REV PER EC 0020-1080-95	17 OCT 95	RB
						S REV AND REACTIVATE -3 PER EC 0020-419-96	07 MAY 96	AWF



YES	208457-3
NO	208457-1
TETRASEAL	PART NUMBER

- 208457-1 MATES WITH AMP RECEPTACLE 208459-1 OR -2. 208457-3 MATES WITH AMP RECEPTACLE 208459-1 ONLY.
- AMP PART NUMBER AND DATE CODE TO BE LOCATED ON COUPLING RING.

DO NOT SCALE PRINT. UNLESS SPECIFIED DIMENSIONS IN INCHES TOLERANCES ON : 2 PLC DEC # - 3 PLC DEC # - ANGLES ± -	DR 6-25-91 R.LEE '86 CHK 4-16-92 W.G.LENKER APPD 4-16-92 K.BEAVER	AMP AMP Incorporated Harrisburg, PA 17105-3608	
MATERIAL SEE CALLOUT	APPD 4-16-92 C.RHODE PRODUCT SPEC 108-10040	NAME PLUG ASSEMBLY, STD SEX, SERIES 1, 28-24, CMC	
FINISH SEE CALLOUT	APPLICATION SPEC -	SIZE C 00779	DRAWING NO 208457
WEIGHT -	SCALE 2:1	SHEET 1 OF 1	