

4

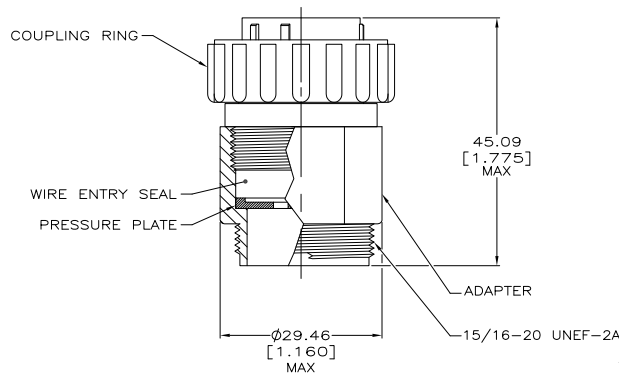
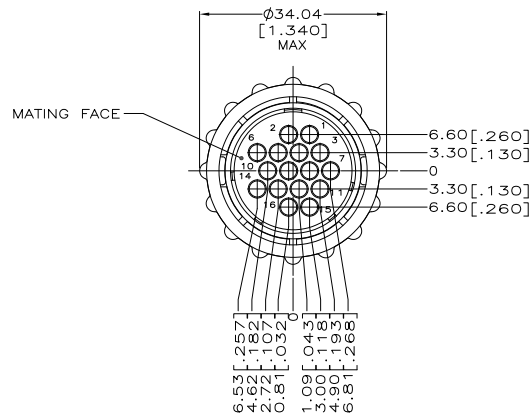
3

2

1

THIS DRAWING IS UNPUBLISHED. RELEASED FOR PUBLICATION
 © COPYRIGHT BY TYCO ELECTRONICS CORPORATION. ALL RIGHTS RESERVED.

LOC	DIST	REVISIONS				
FT	0	F	LR	DATE	BY	APP'D
		E1		REVISED PER ECO-08-032011	23DEC08	HMR MS



- △ HOUSING, ADAPTER AND PRESSURE PLATE: NYLON, BLACK.
 WIRE ENTRY SEAL: ELASTOMER, SEE TABLE.
 COUPLING RING: POLYPHENYLENE, BLACK.
- 2 CONNECTOR WILL ACCEPT (16) MULTIMATE SOCKET CONTACTS.
- △ HOUSING, ADAPTER AND COUPLING RING MATERIAL: POLYESTER, PBT.
- △ METAL COUPLING RING.

△	RED-IRON OXIDE	.065	-.120	STANDARD	796274-4	
△	OBSELETE	YELLOW	.040	.080	SMALL	796274-3
△	YELLOW	.040	.080	SMALL	796274-2	
△	RED-IRON OXIDE	.065	.120	STANDARD	796274-1	
	SEAL COLOR	DIA. RANGE		INSULATION	PART NUMBER	

DIMENSIONS:		TOLERANCES UNLESS OTHERWISE SPECIFIED:		THIS DRAWING IS A CONTROLLED DOCUMENT.		Tyco Electronics Corporation	
mm		0 PLG	± .	DRN	L. McEACHIN	27-JAN-2000	Harrisburg, Pa 17105-3608
		1 PLG	± .	CHK	K. DOWNHOWER	27-JAN-2000	
		2 PLG	± .	APP'D	K. DOWNHOWER	27-JAN-2000	
		3 PLG	± .	PRODUCT SPEC			
		4 PLG	± .	APPLICATION SPEC			
		ANGLES	± .	WEIGHT			
MATERIAL		FINISH		SIZE	CAGE CODE DRAWING NO		RESTRICTED TO
					A2 00779 C=796274		
				CUSTOMER DRAWING	SCALE	2:1	SHEET 1 OF 1 REV E1

AMP 1471-9 REV 31MM2000

796274

B

A