

4

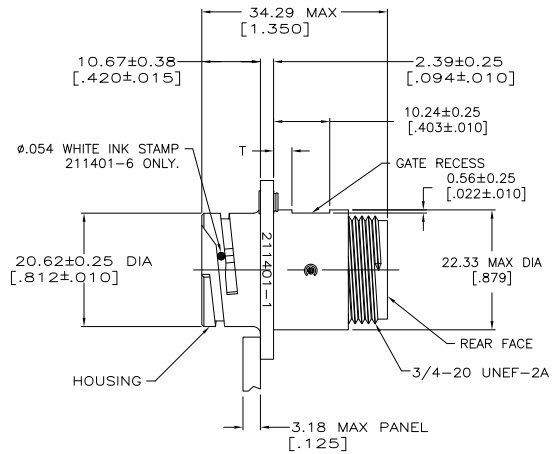
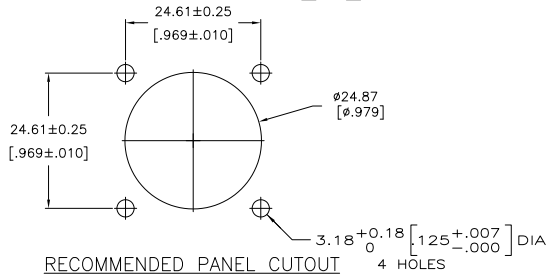
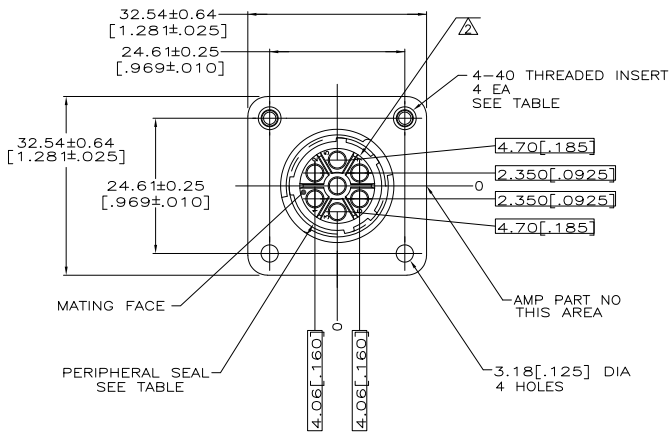
3

2

1

THIS DRAWING IS UNPUBLISHED. RELEASED FOR PUBLICATION. ALL RIGHTS RESERVED.

LOC	DIST	REVISIONS					
FT	0	F	LNK	DESCRIPTION	DATE	BY	APPD
		H1		REVISED PER ECO-11-004587	11MAR11	RK	HMR



3.35±0.25 [.132±.010]	NO	NO	3.81 [.150]	211401-8
1.83±0.25 [.072±.010]	NO	NO	3.81 [.150]	211401-6
1.83±0.25 [.072±.010]	YES	NO	2.54 [.100]	211401-5
1.83±0.25 [.072±.010]	YES	NO	3.81 [.150]	211401-4
1.83±0.25 [.072±.010]	NO	YES	3.81 [.150]	211401-3
1.83±0.25 [.072±.010]	NO	NO	2.54 [.100]	211401-2
1.83±0.25 [.072±.010]	NO	NO	3.81 [.150]	211401-1
T	4-40 THREADED INSERTS	PERIPHERAL SEAL	MAX WIRE INSULATION DIA	PART NUMBER

△ HOUSING: THERMOPLASTIC, BLACK. PERIPHERAL SEAL: ELASTOMER, GRAY. THREADED INSERTS: BRASS.

△ CAVITY IDENTIFICATION ON FRONT AND REAR FACE.

3. WILL ACCEPT SEVEN (7) MULTIMATE PIN CONTACTS.

4. .0050MAX FLASH PERMITTED IN THE AREA OF DIMENSION T, .020 MAX FLASH PERMITTED ON MATING FACE SIDE AND .025 MAX FLASH PERMITTED ON REAR FACE SIDE.

△ PRELIMINARY PART NUMBER.

THIS DRAWING IS A CONTROLLED DOCUMENT. DW: D.HARDY 08-01-94. CHK: B. STONE 08-10-94. NAME: TE Connectivity. PRODUCT SPEC: RECEPTACLE HOUSING, STANDARD SEX, 13-7, CPC. APPLICATION SPEC: SIZE: A2, CASE CODE: 00779, DRAWING NO: 211401. WEIGHT: RESTRICTED TO: CUSTOMER DRAWING. SCALE: 2:1, SHEET: 1 of 2, REV: H1.

1471-9 (3/11)

211401

B

A

4

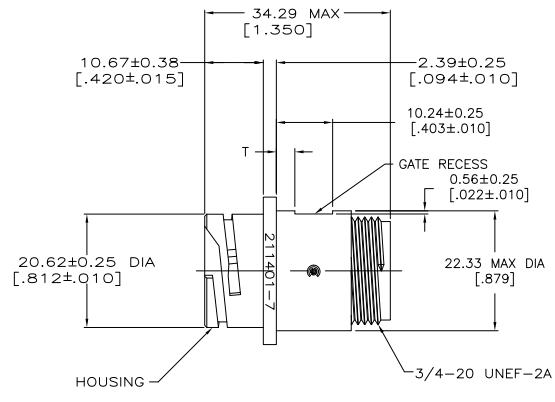
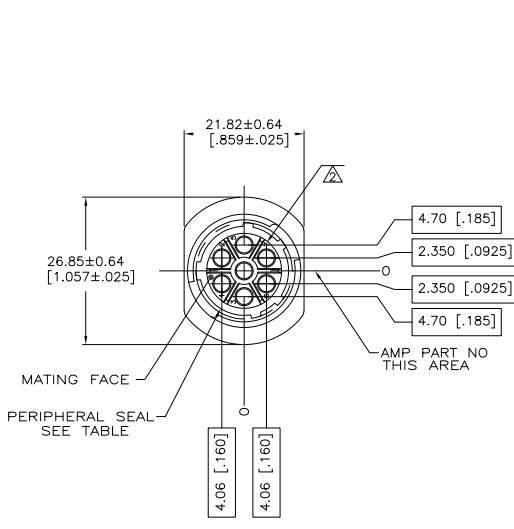
3

2

1

THIS DRAWING IS UNPUBLISHED. RELEASED FOR PUBLICATION  
 © COPYRIGHT - By - ALL RIGHTS RESERVED.

LOC	DIST	REVISIONS		
F	LR	DESCRIPTION	DATE	BY
-	-	SEE SHEET 1	-	-



- △ HOUSING: THERMOPLASTIC, BLACK.  
 PERIPHERAL SEAL: ELASTOMER, GRAY.  
 THREADED INSERTS: BRASS.
- △ CAVITY IDENTIFICATION ON FRONT AND REAR FACE.
- 3. WILL ACCEPT SEVEN (7) MULTIMATE PIN CONTACTS.
- 4. .005 MAX FLASH PERMITTED IN THE AREA OF DIMENSION T, .020 MAX FLASH PERMITTED ON MATING FACE SIDE AND .025 MAX FLASH PERMITTED ON REAR FACE SIDE.

1.83±0.25 [.072±.010]	NO	2.54 [.100]	211401-7
T	PERIPHERAL SEAL	MAX WIRE INSULATION DIA	PART NUMBER

THIS DRAWING IS A CONTROLLED DOCUMENT.		DR D. HARDY 08-01-94	TE Connectivity RECEPTACLE HOUSING, STANDARD SEX, 13-7, CPC
DIMENSIONS: mm [INCHES]		CHK B. STONE 08-10-94	
TOLERANCES UNLESS OTHERWISE SPECIFIED:		APPD -	NAME
0 PLD ±	PRODUCT SPEC	SIZE CASE CODE DRAWING NO	
1 PLD ±	APPLICATION SPEC	RESTRICTED TO	
2 PLD ±	WEIGHT	A2 00779 C=211401	
3 PLD ±	MATERIAL	CUSTOMER DRAWING	
4 PLD ±	FINISH	SCALE 2:1 SHEET 2 of 2 REV H1	
ANGLES ±			

1471-9 (3/11)

211401

A