

4

3

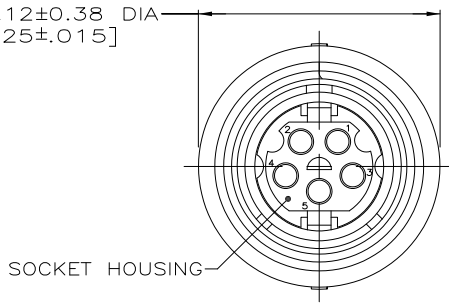
2

1

THIS DRAWING IS UNPUBLISHED. RELEASED FOR PUBLICATION  
 © COPYRIGHT - By - ALL RIGHTS RESERVED.

LOC	DIST	REVISIONS				
P	LTR	DESCRIPTION	DATE	DWN	APVD	
J2		REVISED PER ECO-11-005027	12MAR11	RK	HMR	

31.12±0.38 DIA  
 [1.225±.015]



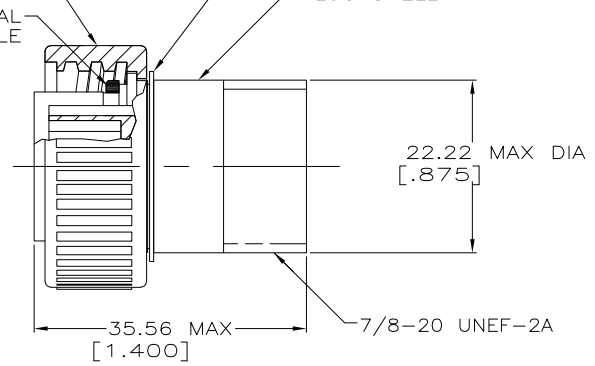
SOCKET HOUSING

COUPLING RING  
 (-1 AND -2 ONLY)

RETAINER RING  
 (-1 AND -2 ONLY)

SEAL  
 SEE TABLE

PLUG SHELL



22.22 MAX DIA  
 [.875]

35.56 MAX [1.400]  
 7/8-20 UNEF-2A

NOTES:

- THIS CONNECTOR ACCEPTS FIVE (5) SIZE 16 MULTIMATE SOCKET CONTACTS, MAXIMUM WIRE INSULATION DIA = 3.43[.135].
- THIS CONNECTOR MATES WITH AMP P/N 208719-1.
- AMP P/N AND DATE CODE TO BE LOCATED ON COUPLING RING.

4 NICKEL PER QQ-N-290 OVER COPPER PER MIL-C-14550.

5 ZINC PER QQ-Z-363.

6 OBSOLETE PARTS: OBSOLETE CIS STREAMLINING PER D.RENAUD/D.SINISI

OBSOLETE	NO	NO	NO	208718-3
	YES	YES	YES	208718-2
	YES	YES	NO	208718-1
RETAINER RING	COUPLING RING	SEAL	PART NUMBER	

THIS DRAWING IS A CONTROLLED DOCUMENT.		DWN D.HARDY 05/23/94	TE Connectivity	
DIMENSIONS: INCHES		CHK R.STONE 05/26/94	PLUG ASSEMBLY, STANDARD SEX, SERIES 1, 14-5, CMC	
TOLERANCES UNLESS OTHERWISE SPECIFIED:		APVD	SIZE	CAGE CODE
0 PLC	± .005	NAME	A3	00779
1 PLC	± .005	PRODUCT SPEC	DRAWING NO	C-208718
2 PLC	± .005	APPLICATION SPEC	RESTRICTED TO	
3 PLC	± .005	WEIGHT	CUSTOMER DRAWING	
4 PLC	± .005		SCALE	2:1
ANGLES	± .005		SHEET	1 OF 1
MATERIAL	FINISH		REV	J2
SKT HOUSING: THERMOPLASTIC, BLACK	PLG RING: 4			
SEAL: FLUOROCARBON, ELASTOMER	PLG SHELL: 4			
RING RING: STAINLESS STEEL				
PLG RING: 4				
PLG SHELL: 4				