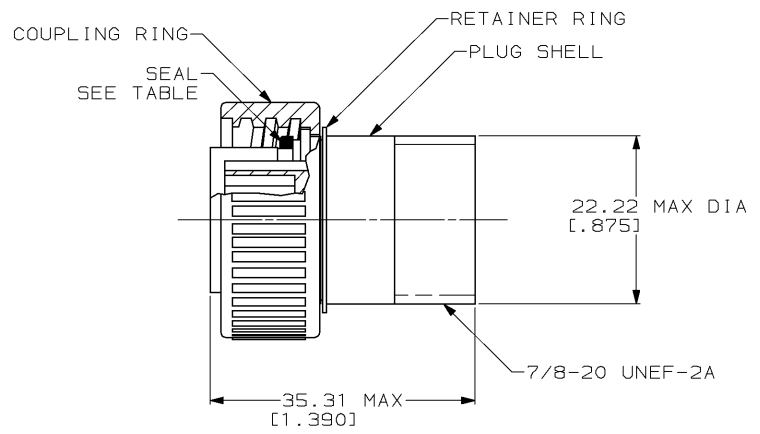
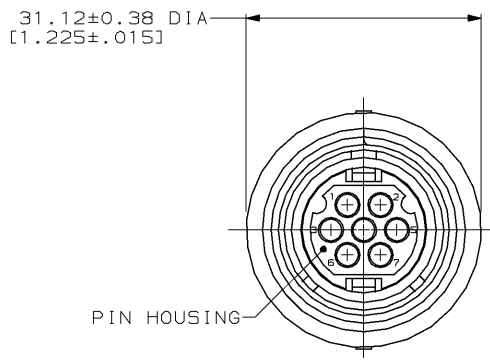


THIS DRAWING IS UNPUBLISHED. RELEASED FOR PUBLICATION, 19  
 © COPYRIGHT 19 BY AMP INCORPORATED. ALL INTERNATIONAL RIGHTS RESERVED.

LOC	DIST	P	F	ZONE	LTR	DESCRIPTION	DATE	APPD
BD	35				F	REDRAWN W/O CHANGE PER EC 0020-569-94	05/20/94	-
					G	OBS -2 PER EC 0020-0136-95	17 JUL 95	AF
					H	SUPSD -2 & REV PER EC 0020-1080-95	17 OCT 95	RB
					J	REV AND REACTIVATE -2 PER EC 0020-419-96	07 MAY 96	AWF



- THIS CONNECTOR ACCEPTS SEVEN (7) SIZE 16 MULTIMATE PIN CONTACTS, MAXIMUM WIRE INSULATION DIA = 2.67 [0.105].
  - THIS CONNECTOR MATES WITH AMP P/N 208717-1.
  - AMP P/N AND DATE CODE TO BE LOCATED ON COUPLING RING.
- 4 NICKEL PER QQ-N-290 OVER COPPER PER MIL-C-14550.  
 5 ZINC PER QQ-Z-363.

YES	208716-2
NO	208716-1
SEAL	PART NO

DO NOT SCALE PRINT. UNLESS SPECIFIED DIMENSIONS IN mm [INCHES] TOLERANCES ON: 2 PLC DEC ± - 3 PLC DEC ± - ANGLES ± -		DR 05/20/94 D. HIRBY CHK 05/26/94 R. STONE APPD 07/13/94 A. FRANTUM APPD 07/13/94 A. FRANTUM	AMP Incorporated Harrisburg, PA 17105-3608	
MATERIAL: PIN HSG, TERMOPLASTIC, BLACK SEAL, FLUOROCARBON ELASTOMER RTNR RING, STAINLESS STEEL CPLG RING, PLUG SHELL, FINISH		NAME	PLUG ASSEMBLY, REVERSE SEX, SERIES 1, 14-7, CMC	
FINISH CPLG RING, PLUG SHELL,	APPLICATION SPEC	SIZE	CAGE CODE	DRAWING NO
		B	00779	C=208716
	WEIGHT	SCALE	2:1	SHEET 1 OF 1

THIS DRAWING IS A CONTROLLED DOCUMENT FOR AMP INCORPORATED. IT IS SUBJECT TO CHANGE AND THE CONTROLLING ENGINEERING ORGANIZATION SHOULD BE CONTACTED FOR THE LATEST REVISION.