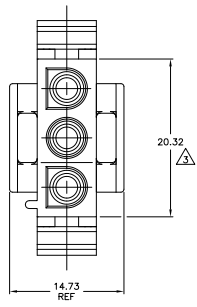
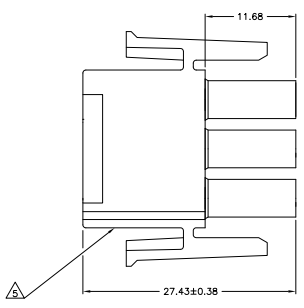
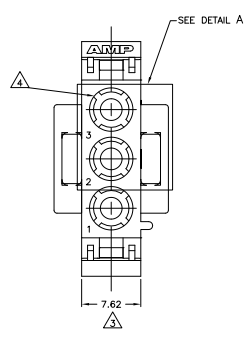
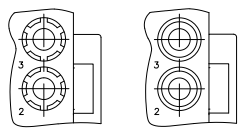
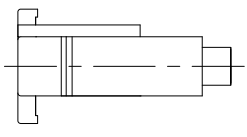


THIS DRAWING IS UNPUBLISHED
 ALL RIGHTS RESERVED

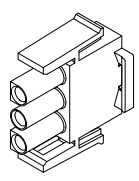
REV	DATE	DESCRIPTION	BY	APP'D
CM 5.3				
AR1		REVISED PER EDD-11-004587	11MMR11	RK HMR



- MATES WITH APPROPRIATE UNIVERSAL MATE-N-LOK™ CAP OR HEADER.
 - SMALL NICKS ARE PERMITTED ON THE CIRCUIT TOWERS WHICH COULD INCREASE THE INITIAL HOUSING MATING FORCE BY UP TO 4.4 NEWTONS [1.0 LBS]. NO INDIVIDUAL NICKED TOWER SHALL INCREASE THIS FORCE BY OVER 2.2 NEWTONS [0.5 LBS].
- ⚠ DIMENSION INDICATED IS AS MOLDED. ADDITIONAL GROWTH DUE TO SUBSEQUENT MOISTURE ABSORPTION MAY OCCUR.
 - ⚠ FOUR RIBS EQUALLY SPACED, NO SPECIFIC ORIENTATION. NO RIBS OR SIX RIBS EQUALLY SPACED, NO SPECIFIC ORIENTATION, OPTIONAL.
 - ⚠ UNDERWRITERS RECOGNIZED COMPONENT LOGO AND CSA CERTIFICATION LOGO TO BE LOCATED ONCE EACH ON SIDE OF HOUSING.



DETAIL A
 OPTIONAL CONSTRUCTION



3-DIMENSIONAL MODEL
 NTS

COLOR	PART NUMBER
BLACK	1-480700-9
GREY	1-480700-8
BLUE	1-480700-6
GREEN	1-480700-5
YELLOW	1-480700-4
ORANGE	1-480700-3
RED	1-480700-2
BROWN	1-480700-1
NATURAL	1-480700-0

MM	IN
27.43	1.080
20.32	.800
14.73	.580
11.68	.460
7.62	.300
0.38	.015
0.13	.005

CONVERSION TABLE
 999 0010

THIS DRAWING IS A CONTROLLED DOCUMENT.

TE Connectivity

PLUG, 3 CIRCUIT, UNIVERSAL MATE-N-LOK(TM)

SIZE: A1 DATE: 00779 DRAWING NO: 480700

CUSTOMER DRAWING

REV: 5.3

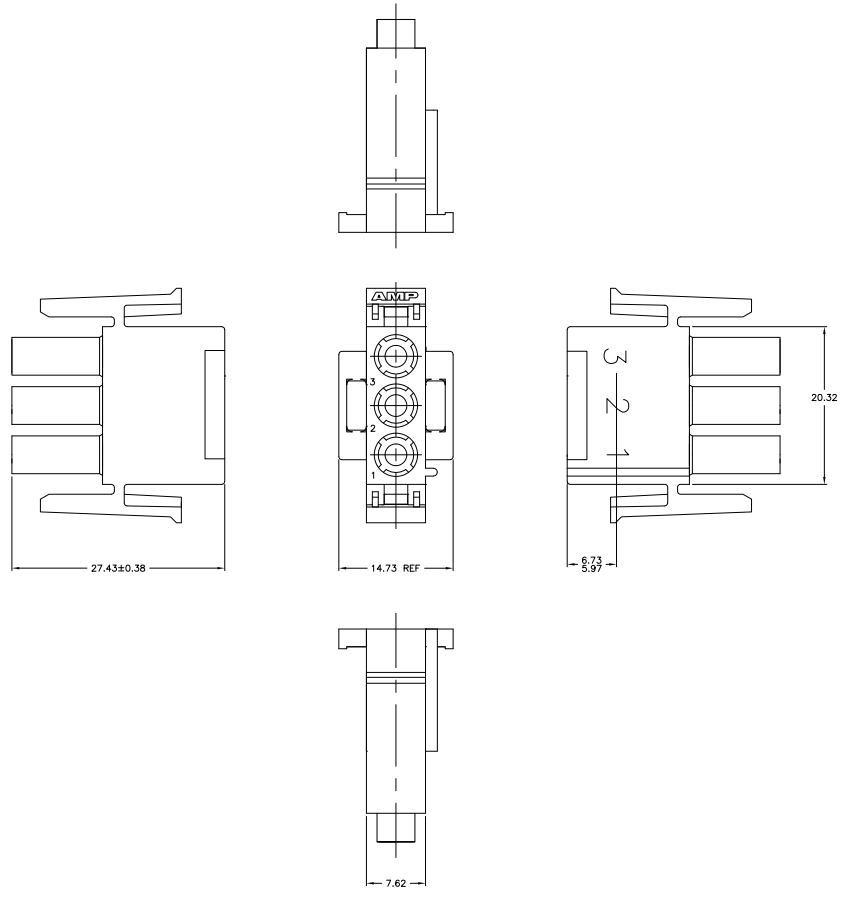
DATE: 11/11/11

BY: RYAN, J.L. 999-2



THIS DRAWING IS UNPUBLISHED. RELEASED FOR PRODUCTION. ALL RIGHTS RESERVED.

REV	DATE	REVISIONS
CM 5.3	7/10	NEW PRODUCT
		SEE SHEET 1



1. STAMP NUMBERS 3.18 HIGH AT WIRE END OF HOUSING (12 POINT DAVID TYPE).
2. CHARACTERS TO BE POSITIONED ON HOUSING TO BE READ FROM WIRE END ONLY.
3. VIOLET, BLACK, BROWN AND BLUE COLORED BLOCKS TO BE STAMPED WITH WHITE CHARACTERS. ALL OTHER COLORED BLOCKS TO BE STAMPED WITH BLACK CHARACTERS.

MM	IN	MM	IN
6.73	.265	--	--
5.97	.235	27.43	1.080
3.18	.125	20.32	.800
0.38	.015	14.73	.580
0.13	.005	7.62	.300
MM	IN	MM	IN

CONVERSION TABLE

NATURAL 2-480700-0
COLOR PART NUMBER

THIS DRAWING IS A CONTROLLED DOCUMENT.		REV	DATE	TECHNICAL	DATE
APPROVED	SIGNED	CM	5.3	7/10	
METRIC		TE Connectivity			
MIL-STD-883C-2		PLUG, 3 CIRCUIT, UNIVERSAL MATE-N-LOK(TM)			
MATERIAL		SIZE		DATE	DRAWN NO.
MATERIAL		A1		00779	G-480700
MATERIAL		CUSTOMER DRAWING		REV	DATE
MATERIAL		CUSTOMER DRAWING		2.1	2/2

METRIC