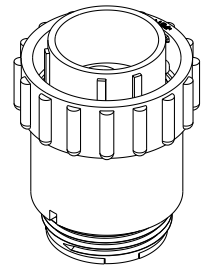
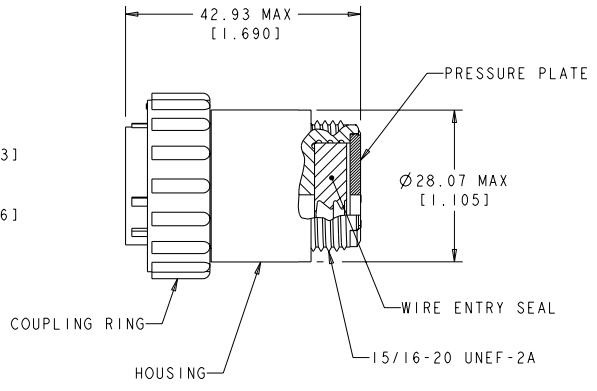
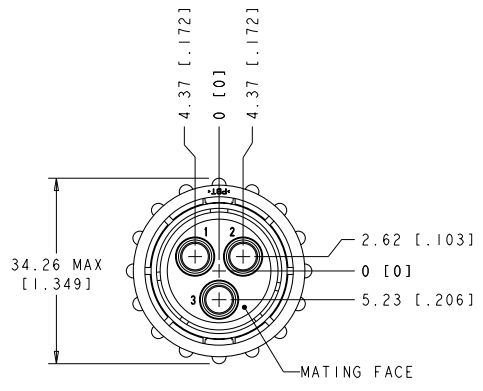


LOC		DIST		REVISIONS			
FT	0	P	LY	DESCRIPTION	DATE	BY	APPR
		C2		REVISED PER ECO-11-005140	29MAR2011	AK	HMA



- △ HOUSING & PRESSURE PLATE: NYLON, BLACK.
WIRE ENTRY SEAL: ELASTOMER, RED-IRON OXIDE.
- △ COUPLING RING: POLYESTER, BLACK.
- △ COUPLING RING: POLYPHENYLENE OXIDE, BLACK.
- 4. WILL ACCEPT (3) POWER MALE CONTACTS.
- △ OBSOLETE PARTS: OBSOLETE CIS STREAMLINING PER D.RENAUD/D.SINISI

△ OBSOLETE	△ 3	2.41-5.21 [.095-.205]	788188-3
	△ 2	3.81-6.73 [.150-.265]	788188-2
	△ 2	2.41-5.21 [.095-.205]	788188-1
		MATERIAL & FINISH	PART NUMBER

THIS DRAWING IS A CONTROLLED DOCUMENT. DWG: 08FEB2000, S. WELDON, 08FEB2000, C. DOWHOWER, 08FEB2000, A. DOWHOWER, 08FEB2000, A. DOWHOWER, 08FEB2000

DIMENSIONS: mm (INCHES)

TO DRAWING SPEC: 108-1579

APPLICATION SPEC: 108-1579

MATERIAL: NYLON

FINISH: POLYESTER

WEIGHT: -

CUSTOMER DRAWING

TE Connectivity

PLUG ASSEMBLY, SERIES 5, REVERSE SEX, SIZE 17-3, CIRCULAR PLASTIC CONNECTOR

SHEET: A200779, CASE CODE: C=788188, DRAWING NO: -

RESTRICTED TO: -

SCALE: 2:1, SHEET: 1 OF 1, REV: C2