

4

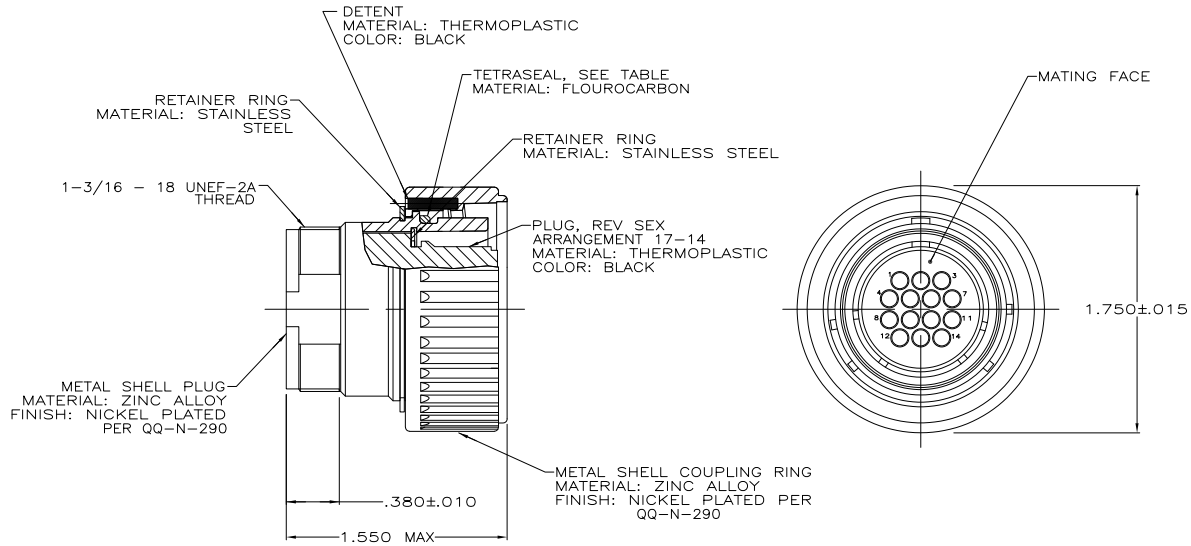
3

2

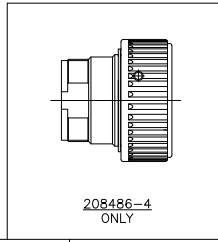
1

THIS DRAWING IS UNPUBLISHED. RELEASED FOR PUBLICATION. ALL RIGHTS RESERVED.

LOC	DIST	REVISIONS					
FT	0	P	LTR	DESCRIPTION	DATE	BY	APPD
		P1		REVISED PER ECO-11-004917	11MAR11	RK	HMR



1. THIS PLUG ACCEPTS FOURTEEN (14) MULTIMATE PIN CONTACTS. MAXIMUM WIRE INSULATION DIAMETER = .105.
2. AMP PART NUMBER AND DATE CODE TO BE LOCATED ON COUPLING RING.



208486-4 ONLY

YES	YES	208486-4
NO	YES	208486-3
NO	NO	208486-1
SECONDARY LOCKING FEATURE	TETRASEAL	PART NUMBER

THIS DRAWING IS A CONTROLLED DOCUMENT.		DR	SLEE RG	6-27-91	 TE Connectivity			
DIMENSIONS: INCHES		CR	W. GLENKER	4-20-92				
TOLERANCES UNLESS OTHERWISE SPECIFIED:		APP			PLUG ASSEMBLY, REV SEX, SERIES 1, 22-14, CMC			
0 PLC ± .005		PRD						
1 PLC ± .005		APP						
2 PLC ± .005		APP						
3 PLC ± .005		APP			SIZE	CAGE CODE	DRAWING NO	RESTRICTED TO
4 PLC ± .005		APP			A2	00779	C-208486	
ANGLES ± .5		APP			CUSTOMER DRAWING		SCALE	SHEET
MATERIAL SEE CALLOUT		FINISH SEE CALLOUT		WEIGHT		REV		
				2:1		1 of 1 P1		