

4

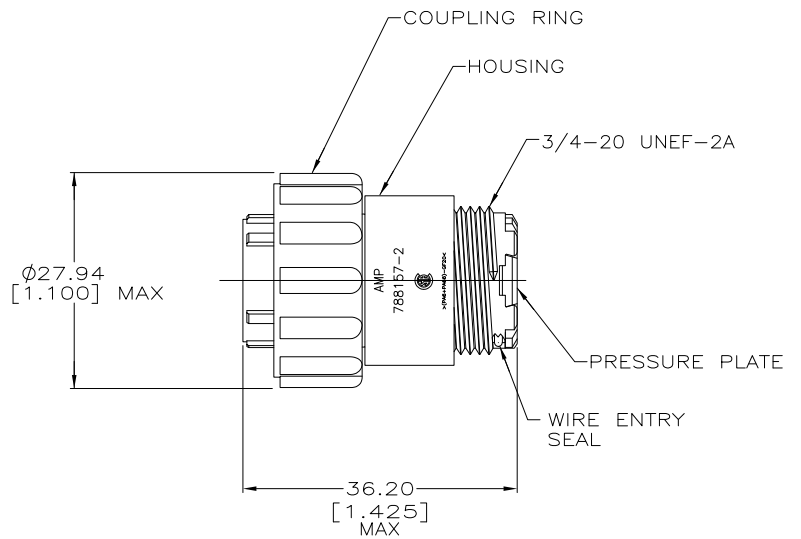
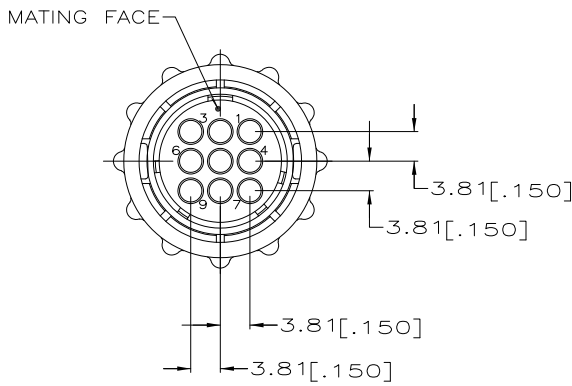
3

2

1

THIS DRAWING IS UNPUBLISHED. RELEASED FOR PUBLICATION
 © COPYRIGHT - By - ALL RIGHTS RESERVED.

LOC	DIST	REVISIONS			
P	LTR	DESCRIPTION	DATE	DWN	APVD
FT	0				
	B1	REVISED PER ECO-11-004820	11MAR11	RK	HMR



- 1. THIS PART WILL ACCEPT NINE (9) MULTIMATE SOCKET CONTACTS.
- ⚠️ COUPLING RING, HOUSING, AND PRESSURE PLATE: NYLON, BLACK.
WIRE ENTRY SEAL: ELASTOMER, RED-IRON OXIDE.
- ⚠️ METAL COUPLING RING.

.065-.120	STANDARD	788157-3
.065-.120	STANDARD	788157-2
.040-.080	SMALL	788157-1
DIAMETER RANGE	INSULATION	PART NUMBER

DIMENSIONS:		TOLERANCES UNLESS OTHERWISE SPECIFIED:		DWN		TE Connectivity	
INCHES				C. DORWART 21 AUG 98			
				CHK R. WALTER 21 AUG 98			
				APVD R. WALTER 21 AUG 98		NAME	
				PRODUCT SPEC		PLUG ASSEMBLY, 13-9, STANDARD SEX, SERIES I, SEALED, CIRCULAR PLASTIC CONNECTOR	
				APPLICATION SPEC		SIZE CAGE CODE DRAWING NO RESTRICTED TO	
				WEIGHT		A3 00779 C-788157	
MATERIAL		FINISH		CUSTOMER DRAWING		SCALE 2:1 SHEET 1 OF 1 REV B1	