

4

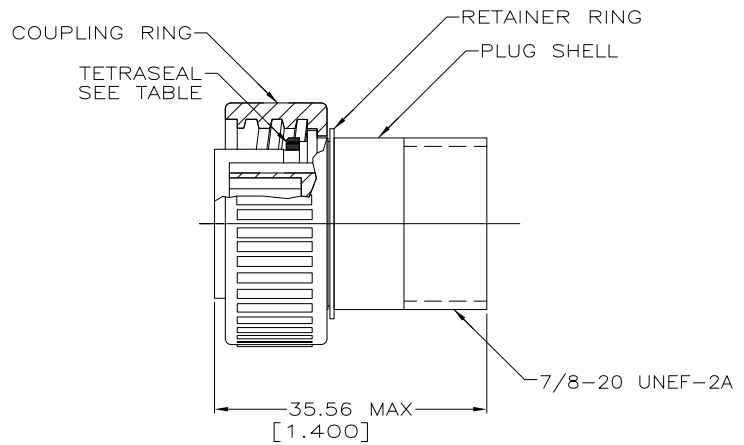
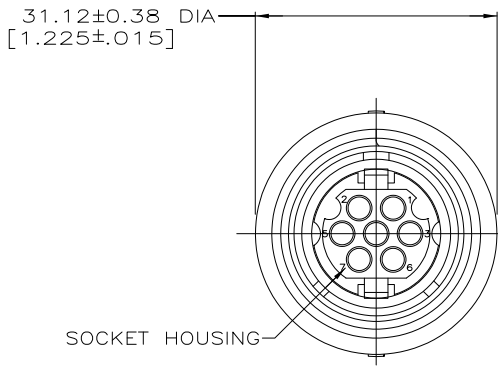
3

2

1

THIS DRAWING IS UNPUBLISHED. RELEASED FOR PUBLICATION  
 © COPYRIGHT - By - ALL RIGHTS RESERVED.

LOC		DIST		REVISIONS				
P	LTR	DESCRIPTION			DATE	DWN	APVD	
	H1	REVISED PER ECO-11-005027			11MAR11	RK	HMR	



1. THIS CONNECTOR ACCEPTS SEVEN (7) SIZE 16 MULTIMATE SOCKET CONTACTS, MAXIMUM WIRE INSULATION DIA = 2.67 [.105].
  2. THIS CONNECTOR MATES WITH AMP PART NUMBER 208715-1.
  3. AMP PART NUMBER AND DATE CODE TO BE LOCATED ON COUPLING RING.
- ⚠ NICKEL PER QQ-N-290 OVER COPPER PER MIL-C-14550.  
 ⚠ ZINC PER QQ-Z-363.

YES	208714-2
NO	208714-1
SEAL	PART NO

THIS DRAWING IS A CONTROLLED DOCUMENT.

DIMENSIONS: INCHES	TOLERANCES UNLESS OTHERWISE SPECIFIED: 0 PLC ± - 1 PLC ± - 2 PLC ± - 3 PLC ± - 4 PLC ± - ANGLES ± -	DWN D. HARDY 05/23/94 CHK C. DORWART 05/24/94 APVD A. FRANTUM 07/13/94	TE Connectivity NAME PLUG ASSEMBLY, STANDARD SEX, SERIES 1, 14-7, CMC			
		PRODUCT SPEC	SIZE	CAGE CODE	DRAWING NO	RESTRICTED TO
MATERIAL SKT HSS: TERMOPLASTIC, BLACK SEAL: FLUOROCARBON ELASTOMER RING RING: STAINLESS STEEL OPLG RING: A PLUG SHELL: A		APPLICATION SPEC	A3	00779	C-208714	-
FINISH OPLG RING: A PLUG SHELL: A		WEIGHT	CUSTOMER DRAWING		SCALE	SHEET
					2:1	1 OF 1
						REV H1