

4

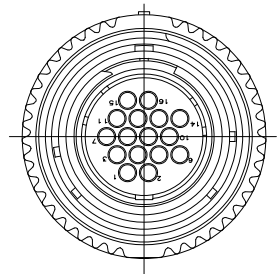
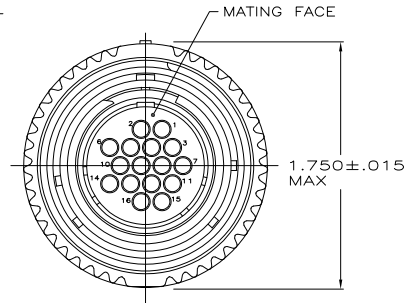
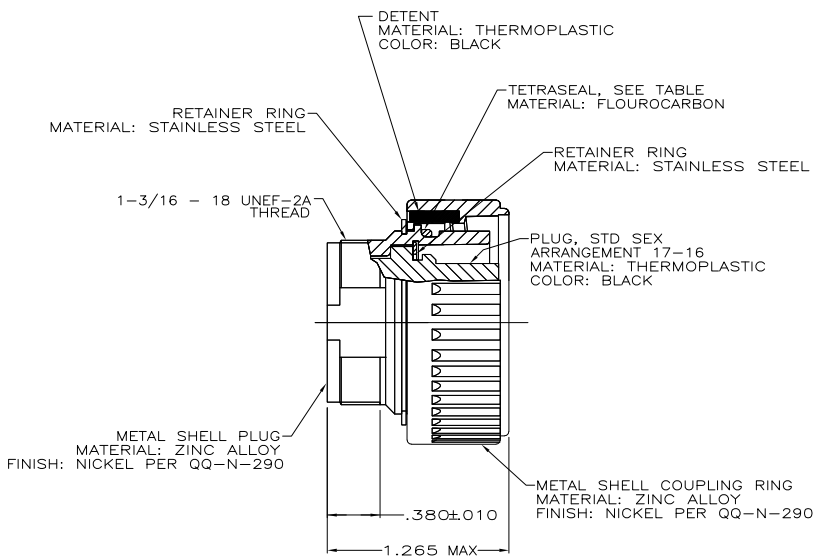
3

2

1

THIS DRAWING IS UNPUBLISHED. RELEASED FOR PUBLICATION
 © COPYRIGHT BY TYCO ELECTRONICS CORPORATION. ALL RIGHTS RESERVED.

LOC	DIST	REVISIONS			
P	LTR	DESCRIPTION	DATE	MIN	APVD
U		REVISED PER ECO-07-004158	2/23/07	SS	SH



208488-5 ONLY

NOTES:

- 208488-1 MATES WITH AMP RECEPTACLE 208489-1 OR -2. 208488-3 MATES WITH AMP RECEPTACLE 208489-1 ONLY.
- THIS PLUG ACCEPTS SIXTEEN (16) MULTIMATE SOCKET CONTACTS. MAXIMUM WIRE INSULATION DIAMETER = .105.
- AMP PART NUMBER AND DATE CODE TO BE LOCATED ON COUPLING RING.

⚠ COMPONENT KIT (ONE KIT PER BAG); ASSEMBLY AND FUNCTIONALITY ARE ASSUMED BY THE CUSTOMER.

REVERSE POLARIZATION	NO	208488-5
	YES	208488-4 ⚠
	YES	208488-3
	NO	208488-1
TETRASEAL	PART NUMBER	

THIS DRAWING IS A CONTROLLED DOCUMENT.		DRG. FILE NO. 6-28-91	Tyco Electronics Corporation	
DIMENSIONS: INCHES		DR. 4-20-92	Harrisburg, PA 17105-3608	
TOLERANCES UNLESS OTHERWISE SPECIFIED:		W. G. LENKER	NAME	
Ø	PLC	±	PRODUCT SPEC	108-10040
1	PLC	±	APPLICATION SPEC	
2	PLC	±	HEIGHT	
3	PLC	±	FINISH	
4	PLC	±		
ANGLES	±			
MATERIAL	SEE CALLOUT		SIZE	DATE CODE
FINISH	SEE CALLOUT		A2	00779
			C=	208488
			CUSTOMER DRAWING	SCALE
				2:1
				SHEET
				1 of 1
				REV
				U

AMP 1471-9 REV 31MM2000

208488

A