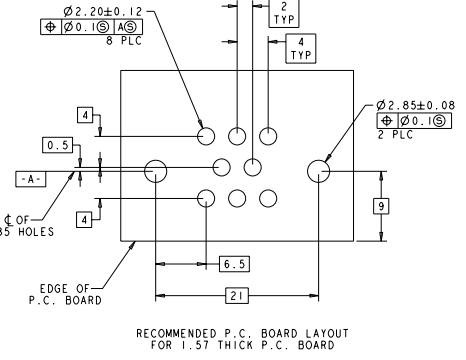
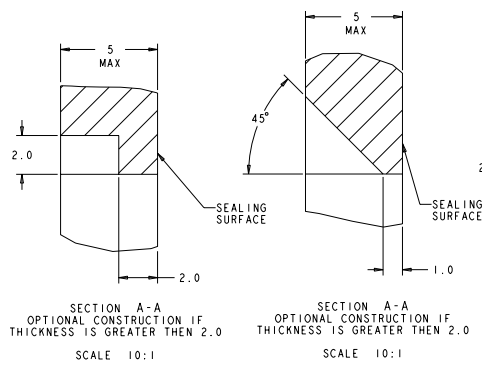
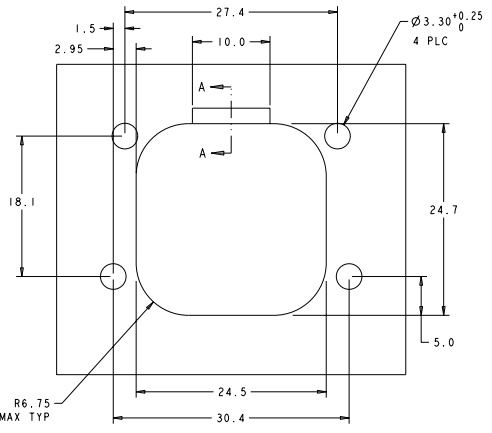
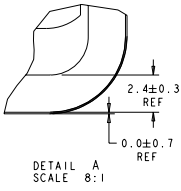
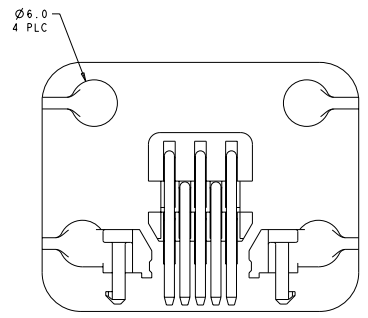
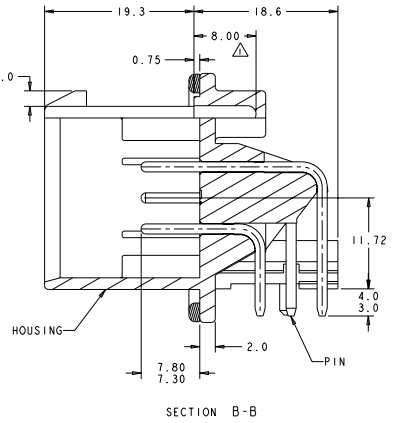
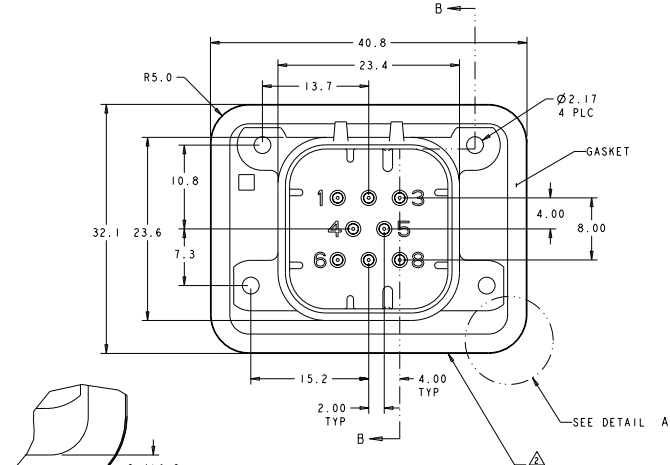


REV	DATE	DESCRIPTION	BY	CHK	APP
F3		REVISED PER ECO-11-005030			

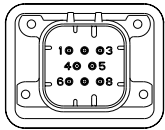


- △ ACCEPTS #4 SELF TAPPING THREAD CUTTING SCREWS OR METRIC EQUIVALENT. DRIVE TO 0.6 ± 0.2 N-m MAX.
- △ HOUSING COLORS ARE MECHANICALLY KEYS TO MATE ONLY WITH IDENTICALLY COLORED PLUG ASSEMBLIES.
- △ REFER TO PAGE 2 FOR 776280-6 ASSEMBLY DIMENSIONS, RECOMMENDED MOUNTING HOLE AND P.C. BOARD LAYOUT ARE THE SAME FOR ALL DASH NUMBERS.

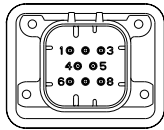
GASKET MATERIAL	NATURAL	DURAGOLD PLATED	1-776280-2
	BLACK	DURAGOLD PLATED	1-776280-1
	BLACK	TIN PLATED	776280-6
	NATURAL	TIN PLATED	776280-2
	BLACK	TIN PLATED	776280-1

THIS DRAWING IS A CONTROLLED DOCUMENT.		DATE		REV		DESCRIPTION		BY		CHK		APP	
DATE	REV	DATE	REV	DATE	REV	DATE	REV	DATE	REV	DATE	REV	DATE	REV
00	00												

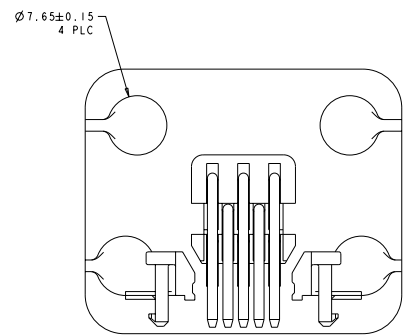
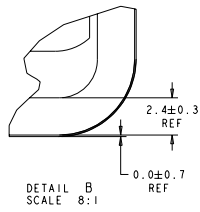
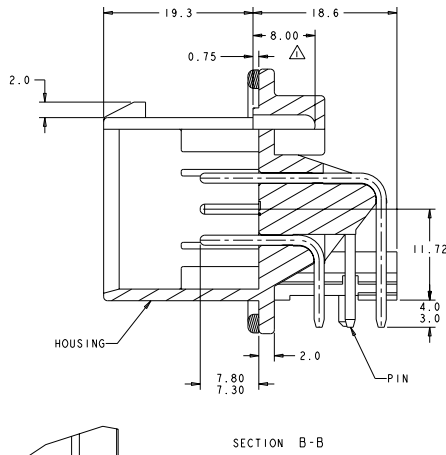
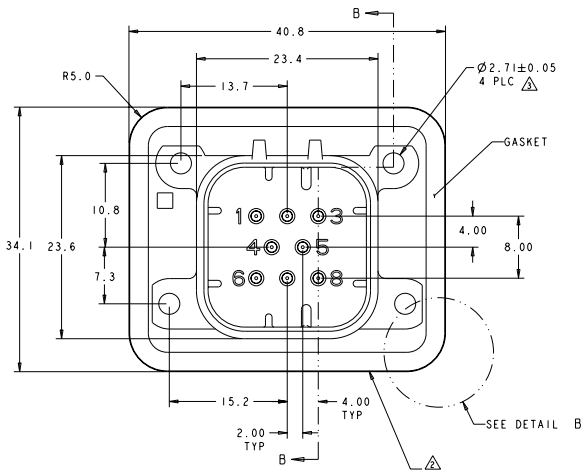
REV	DATE	DESCRIPTION	BY	CHK	APP
00		SEE SHEET 1			



776280-1, 776280-6 & 1-776280-1
 KEY LOCATION
 SCALE 2:1



776280-2 & 1-776280-2
 KEY LOCATION
 SCALE 2:1



- △ ACCEPTS #4-20 THREAD FORMING TWIN HELIX PLASTITE SCREW (SINGLE HELIX OPTIMAL)
- △ HOUSING COLORS ARE MECHANICALLY KEYS TO MATE ONLY WITH IDENTICALLY COLORED PLUG ASSEMBLIES.
- △ 0° 30' MAX DRAFT FROM TOP OF HOLE (1° INCLUDED ANGLE)

ASSEMBLY DIMENSIONS APPLY TO 776280-6 ONLY
 (HOLE LAYOUT AND P.C. BOARD LAYOUT SHOWN ON SHEET 1 APPLY TO ALL DASH NUMBERS)

SILICONE		BLACK	TIN PLATED	776280-6
GASKET MATERIAL	HEADER HOUSING COLOR	PIN	PART NUMBER	
THIS DRAWING IS A CONTROLLED DOCUMENT.		APPROVED	DATE	REV
DATE	BY	DATE	BY	REV
DRAWN BY		DATE	BY	REV
CHECKED BY		DATE	BY	REV
APPROVED BY		DATE	BY	REV
MATERIAL		DATE	BY	REV
CUSTOMER DRAWING		DATE	BY	REV