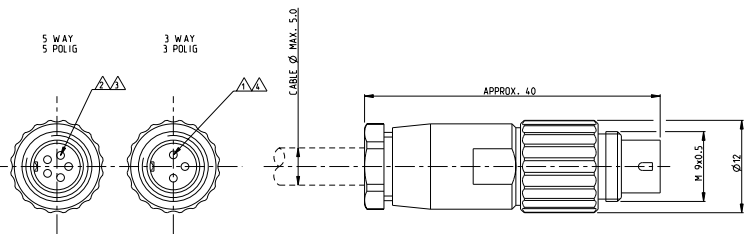
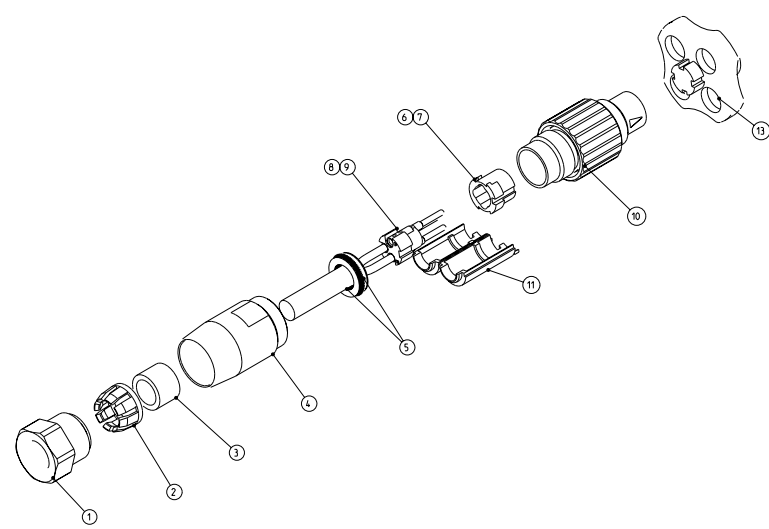


REV	DATE	BY	CHKD	APPV
AI	-	LM		
AI	REVISED PER ECO-11-020524			

MATERIAL / MATERIAL: PBT, UL-94 V2	△
SHELL MATERIAL / GEHÄUSEMATERIAL: BRASS/MESSING	
FINISH / BESCHÜTTUNG: TRIBOR 4 µm	△
WIRE GAGE / DRAHTGRÖSSE IN mm ² : 0.5	△
WIRE GAGE / DRAHTGRÖSSE IN mm ² : 0.14 OR 0.25 OR 0.34	△
CRIMP CONTACT / CRIMP KONTAKT: SEE PN 5-1437720-5	△
CRIMP CONTACT / CRIMP KONTAKT: SEE PN 5-1437720-4	△
SHELL PROTECTION CLASS / SCHUTZKLASSE: IP 65 / DIN 40050	
TEST VOLTAGE / PRÜFSPANNUNG: 500 VAC	
OPERATING VOLTAGE / BETRIEBSSPANNUNG: 60 VAC	
OPERATING TEMPERATURE: -40°C TO +80°C / ARBEITSTEMPERATUR: -40°C BIS +80°C	
MATING CYCLES / STECKZYKLEN: 500 MAX.	
TECHNICAL DATA / TECHNISCHE DATEN	



TE CONNECTIVITY-NO. / TE CONNECTIVITY-NR.	QTY REQD PER ASSY	DESCRIPTION / BESCHREIBUNG	ITEM-NO. / TEIL-NR.
1-1437719-2	1	MOUNTING WRENCH / MONTAGESCHLÜSSEL	13
1-1437719-1	1	MOUNTING INSTRUCTION / MONTAGEANLEITUNG	12
	1	INSULATION TUBE / ISOLIERHÜLSE	11
	1	SCREWING TUBE / SCHRAUBHÜLSE	10
	1	CONTACT HOLDER 5 WAY / STIFTHALTER 5 POLIG	9
	1	CONTACT CARRIER 5 WAY / STIFTRAEGER 5 POLIG	8
	1	CONTACT CARRIER 3 WAY / STIFTRAEGER 3 POLIG	7
	2	GROUNDING PLATE FOR 360° SHIELDING CONNECTION / MASSSESCHIEBE FÜR 360° ABSCHIRMUNG	5
	1	HOUSING / GEHÄUSE	4
	1	CABLE SEALING / KABELDICHTUNG	3
	1	STRAIN RELIEF / ZUGENTLASTUNGSKRÖNE	2
	1	STRAIN RELIEF NUT / ZUGENTLASTUNGSMUTTER	1
		REVISION OF EACH ASSY NO. (WHEN BLANK, USE DWG REV.)	
		PARTS LIST / TEILE LISTE	

△ CONTACTS OF TYPE TE CONNECTIVITY-PN: 5-1437720-4/T01-0540-P03 MUST BE ORDERED SEPARATELY
 KONTAKTE DES TYPUS TE CONNECTIVITY-PN: 5-1437720-4/T01-0540-P03 MUESSEN SEPARAT BESTELLT WERDEN
 △ CONTACTS OF TYPE TE CONNECTIVITY-PN: 5-1437720-5/T01-0540-P05 MUST BE ORDERED SEPARATELY
 KONTAKTE DES TYPUS TE CONNECTIVITY-PN: 5-1437720-5/T01-0540-P05 MUESSEN SEPARAT BESTELLT WERDEN

1-1437719-2	100 PLUG CONNECTORS / STECKVERBINDER COMPONENT PARTS PACKAGED PER 100
1-1437719-1	100 PLUG CONNECTOR / STECKVERBINDER COMPONENT PARTS PACKAGED PER 100
TE CONNECTIVITY-NO. / TE CONNECTIVITY-NR.	ORDER QUANTITY / BESTELLMENGE

THIS DRAWING IS A CONTROLLED DOCUMENT.
 DATE: 19820101
 BY: JH
 CHECKED: JH
 APPROVED: JH
 TITLE: TO MALE PLUG CONNECTOR CRIMP-VERS. 3-5 POS.
 T01 STIFTHALTER CRIMPVERSION 3 - 5 POL.
 STATE: CA
 DRAWING NO.: 007719
 REV: A
 CUSTOMER DRAWING: 1 1 1