

4

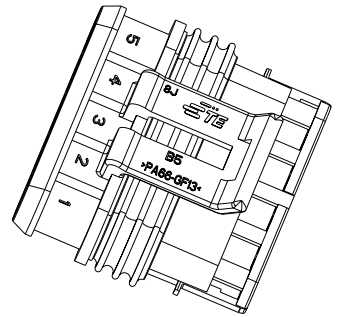
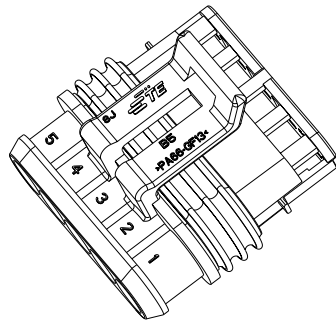
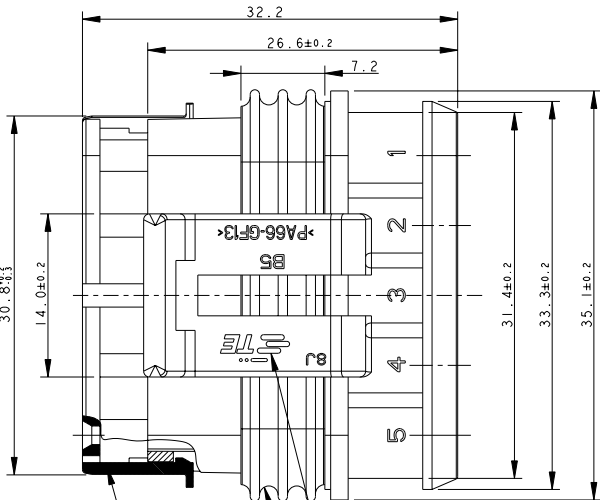
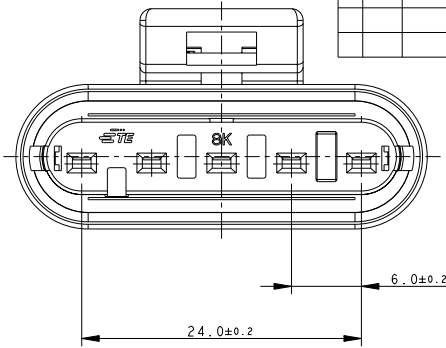
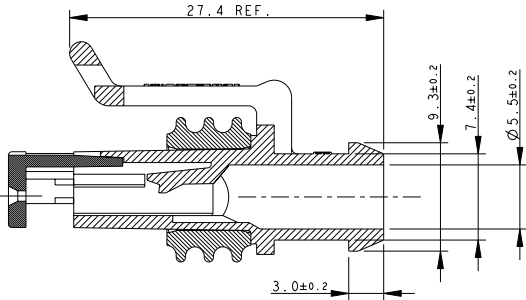
3

2

1

THIS DRAWING IS UNPUBLISHED. RELEASED FOR PUBLICATION 2011  
COPYRIGHT 2011 ALL RIGHTS RESERVED.

LOC		DIST		REVISIONS			
P	LTR	DESCRIPTION	DATE	DNW	APVD		
C5		REVISED BY ECR-11-024280	130EC2011	M.F.	M.G.		



1) FOR COUNTERPART DETAILS, SEE SHEET 2 OF 2

GRAY	PA66-GF	282089-2
BLACK	PA66-GF	282089-1
FINISH/COLOR	MATERIAL	PART NUMBER

TE CONNECTIVITY TRADE MARK,  
(IN ALTERNATIVE: "STE" LOGO,  
OR "Tyco Electronics" LOGO)

SEALING  
(SILICONE RUBBER)

PRE-ASSEMBLED SECONDARY LOCK  
(RED COLOR)

THIS DRAWING IS A CONTROLLED DOCUMENT.

OWN 05-1992

CHK C. BERTINI

A. BRUNI 05-1992

APVD -

NAME



TE Connectivity

PRODUCT SPEC

108-20090

APPLICATION SPEC

412-20000

WEIGHT

5.45gr

SIZE CAGE CODE DRAWING NO RESTRICTED TO

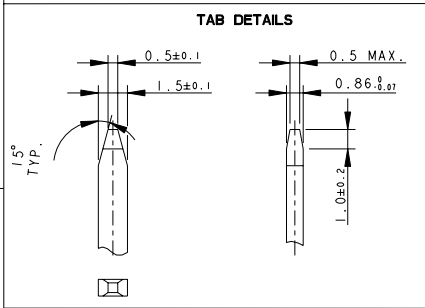
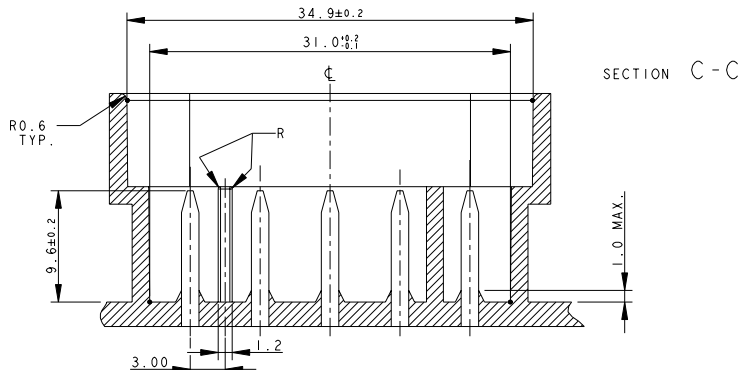
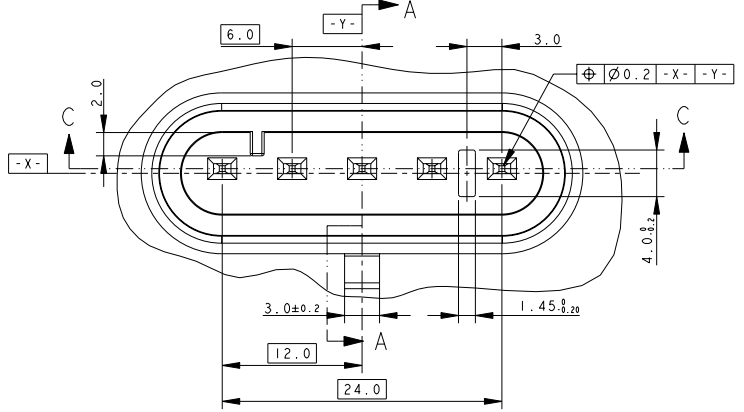
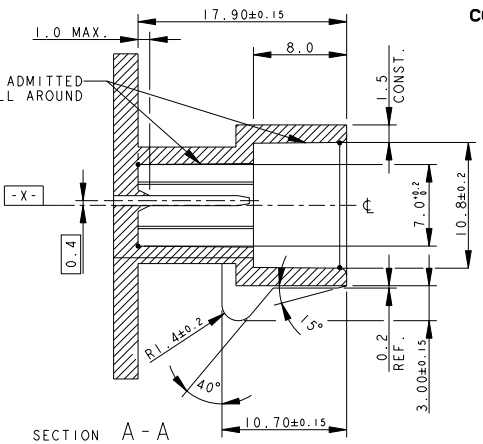
A3 00779 C-282089 -

CUSTOMER DRAWING SCALE 1:1 SHEET 1 OF 2 REV C5


1470-19 (3/11)

Proj/ENGINEER DRAWING

COUNTERPART DETAILS



MATERIALS: PA66-GF FOR HOUSING  
TIN PLATED BRASS FOR TABS

THIS DRAWING IS A CONTROLLED DOCUMENT.		OWN C. BERTINI	05-1992		TE Connectivity	
DIMENSIONS: mm		CHK A. BRUNI	05-1992		AMP SUPERSEAL 1.5 SRS. 5 POSITIONS PLUG ASS'Y	
TOLERANCES UNLESS OTHERWISE SPECIFIED:		APVD	-	NAME	RESTRICTED TO	
0 PLC ±0.3		PRODUCT SPEC	-	SIZE	CAGE CODE	DRAWING NO
1 PLC ±0.1		APPLICATION SPEC	-	A300779	C-282089	-
2 PLC ±0.05		WEIGHT	-	CUSTOMER DRAWING		
3 PLC ±		SCALE 3:1		SHEET 2 OF 2		
4 PLC ±		REV C5				
ANGLES ±2°						