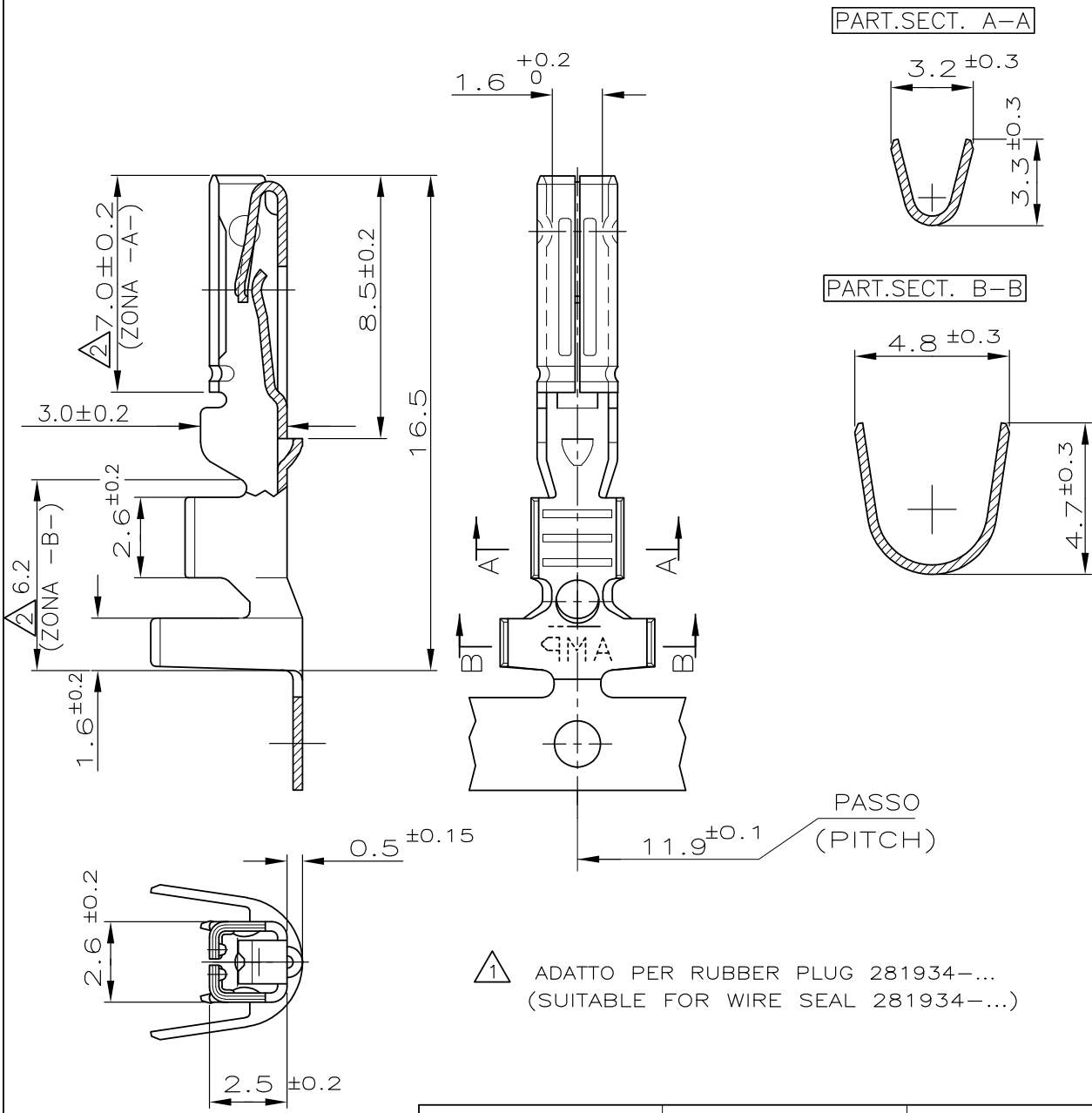


METRIC

LOC	DIST	REVISIONS					
I	—	P	LTR	DESCRIPTION	DATE	DWN	APVD
		D1		REVISED PER ECO-11-005033	2APR11	RK	HMR



1 ADATTO PER RUBBER PLUG 281934-...
(SUITABLE FOR WIRE SEAL 281934-...)

THIS DRAWING IS UNPUBLISHED. RELEASED FOR PUBLICATION. ALL RIGHTS RESERVED.

DIAM. ISOLANTE (INS. DIA. RANGE)	RANGO FILO (WIRE RANGE)	PRE-STAGNATO/PRE-TIN	BRONZO FOSF./PH. BRONZE	282110-1
1	0.75-1.5mm ²	FINITURA / COLORE (FINISH / COLOUR)	MATERIALE (MATERIAL)	NUMERO (PART NUMBER)
		CUSTOMER DRAWING FOR REFERENCE ONLY		DISEGNO PER CLIENTE SOLO PER RIFERIMENTO

DIMENSIONS: mm	DWN	9 NOV.90	MATERIAL	FINISH
	Bassano		-	-
TOLERANCES UNLESS OTHERWISE SPECIFIED:	CHK	9 NOV.90	TE Connectivity	
	Bertini			
0 PLC ± -	APVD	-	NAME	
1 PLC ± 0.3	PRODUCT SPEC	-		
2 PLC ± -	APPLICATION SPEC	-	MINI MIC SRS REC. CONTACT	
3 PLC ± -		-		
4 PLC ± -	WEIGHT	-	SIZE	CAGE CODE
ANGLES ± 2'			A4	00779
			DRAWING NO	RESTRICTED TO
			C-282110	-
			CUSTOMER DRAWING	SCALE
				5:1
			SHEET	1 OF 1
			REV	D1