

4

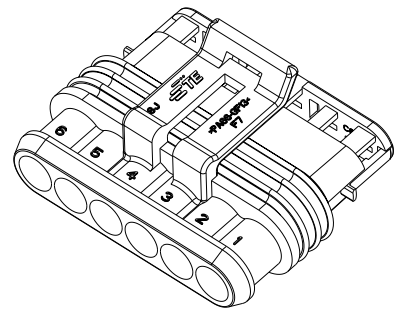
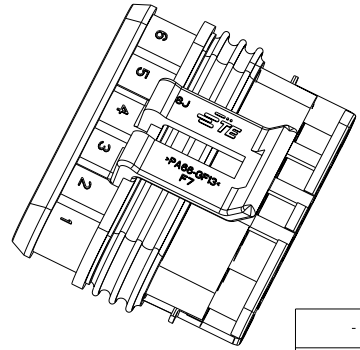
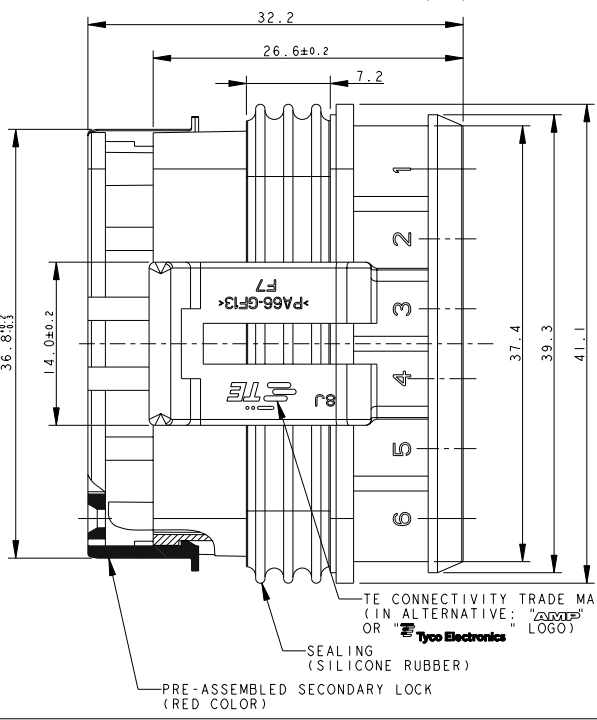
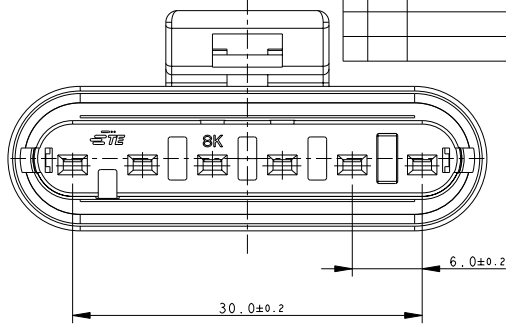
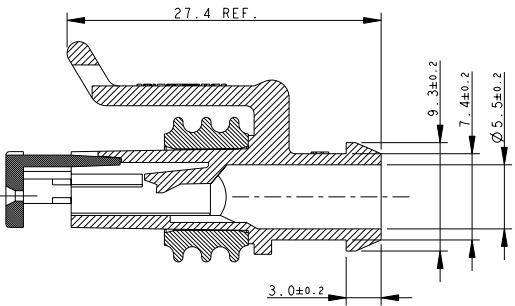
3

2

1

THIS DRAWING IS UNPUBLISHED. RELEASED FOR PUBLICATION 2011
 © COPYRIGHT 2011 ALL RIGHTS RESERVED.

LOC		DIST		REVISIONS			
P	LTR	DESCRIPTION	DATE	DNW	APVD		
D2		REVISED BY ECR-11-024280	130EC2011	M.F.	M.G.		



1) FOR COUNTERPART DETAILS, SEE SHEET 2 OF 2

-	BLACK	PA66-GF	282090-1
NOTE	FINISH/COLOR	MATERIAL	PART NUMBER

THIS DRAWING IS A CONTROLLED DOCUMENT.

DIMENSIONS: mm	TOLERANCES UNLESS OTHERWISE SPECIFIED:	0 PLC ±	1 PLC ±0.3	2 PLC ±	3 PLC ±	4 PLC ±	ANGLES ±2°	MATERIAL	FINISH
----------------	--	---------	------------	---------	---------	---------	------------	----------	--------

OWN: C. BERTINI 05-1992	CHK: A. BRUNI 05-1992	APVD: -	NAME: -
PRODUCT SPEC: 108-20090		APPLICATION SPEC: 412-20000	
WEIGHT: 6.55gr	SIZE: A3	CAGE CODE: 00779	DRAWING NO: C-282090
CUSTOMER DRAWING			RESTRICTED TO: -

TE Connectivity

AMP SUPERSEAL 1.5 SRS.
6 POSITIONS PLUG ASS'Y

SCALE: 1:1 SHEET 1 OF 2 REV D2

4

3

2

1

THIS DRAWING IS UNPUBLISHED.

RELEASED FOR PUBLICATION

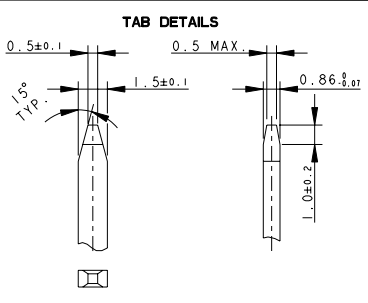
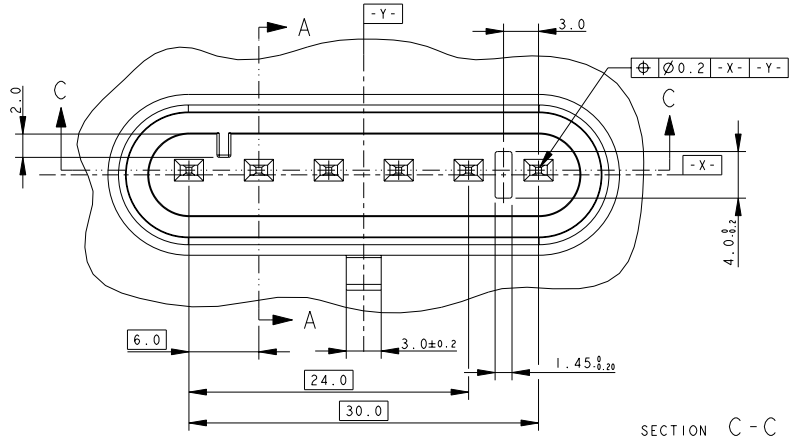
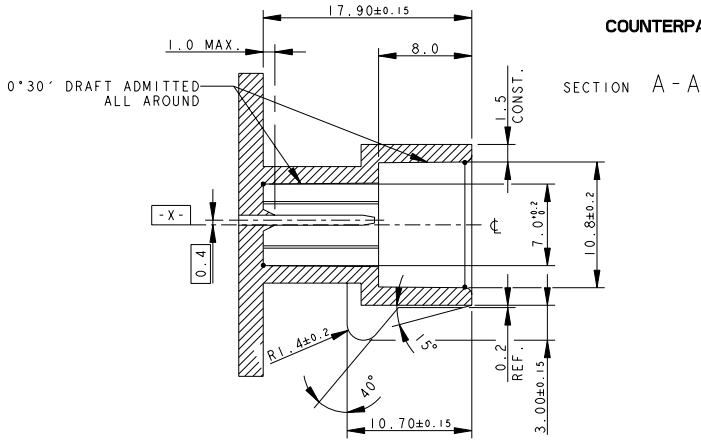
2011

© COPYRIGHT 2011

ALL RIGHTS RESERVED.

LOC	DIST	REVISIONS			
P	LTR	DESCRIPTION	DATE	DWN	APVD
1	-	SEE SHEET 1			

COUNTERPART DETAILS



THIS DRAWING IS A CONTROLLED DOCUMENT.		DWN: 05-1992 C. BERTINI	STE TE Connectivity	
DIMENSIONS: mm		CHK: 05-1992 A. BRUNI		
TOLERANCES UNLESS OTHERWISE SPECIFIED:		APVD: -	NAME: -	
0 PLC ±0.3		PRODUCT SPEC: 108-20090		
1 PLC ±0.1		APPLICATION SPEC: 412-20000		
2 PLC ±0.05		SIZE: A3		
3 PLC ±		CAGE CODE: 00779		
4 PLC ±		DRAWING NO: C-282090		
ANGLES ±°		RESTRICTED TO: -		
MATERIAL: 1		FINISH: 1		
WEIGHT: 6.55gr		CUSTOMER DRAWING		
SCALE: 3:1		SHEET 2 OF 2		
REV: D2				

1470-19 (3/11)