

4

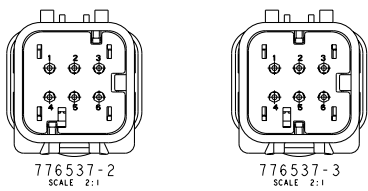
3

2

1

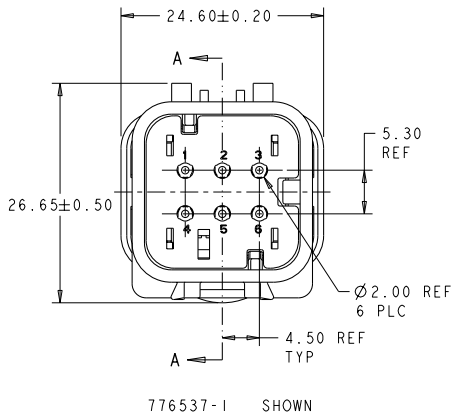
THIS DRAWING IS UNPUBLISHED. RELEASED FOR PUBLICATION
 BY: _____ ALL RIGHTS RESERVED.

LOC	DISP	REVISIONS					
GE	00	P	LYR	DESCRIPTION	DATE	BY	APPR
		B3		REVISED PER ECO-11-005030	12MAR2011	AK	HMA

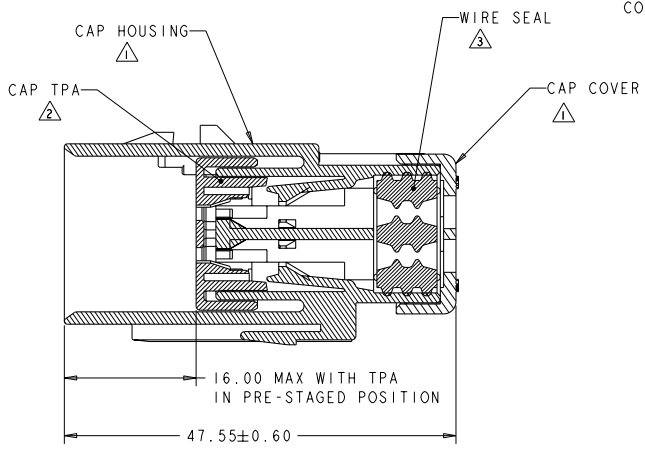


- △ MATERIAL: 15% GLASS FILLED THERMOPLASTIC
COLOR: BLACK
- △ MATERIAL: 15% GLASS FILLED THERMOPLASTIC
COLOR: (SEE TABLE)
- △ MATERIAL: SILICONE
COLOR: LIGHT BLUE

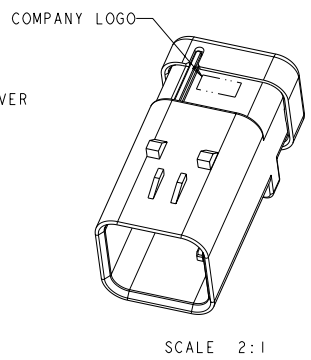
4. RECOMMENDED WIRE DIAMETER RANGE IS 1.30 TO 2.54mm



776537-1 SHOWN



SECTION A-A
OPEN POSITION



SCALE 2:1

YELLOW	776537-3
GRAY	776537-2
RED	776537-1
TPA COLOR	PART NUMBER

THIS DRAWING IS A CONTROLLED DOCUMENT. OWN: W. MOELSCHEN, DATE: 04SEP2003
 CBY: PATTERSON, DATE: 04SEP2003
 APP: M. KLEIN, DATE: 04SEP2003

TE Connectivity

NAME: CAP ASSEMBLY, 6 POSITION, 2 ROW, AMPSEAL 16 CONNECTOR, REDUCED DIA WIRE SEAL

APPLICATION SPEC: 114-13065

SIZE: A2, CASE CODE: 00779, DRAWING NO: 776537

MATERIAL: FINISH: WEIGHT: CUSTOMER DRAWING

RESTRICTED TO: REV B3

SCALE: 2:1, SHEET 1 OF 1