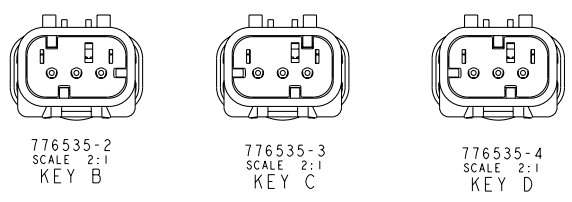
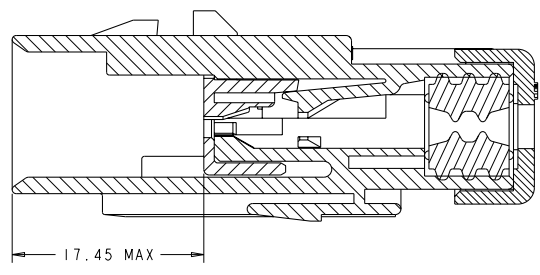
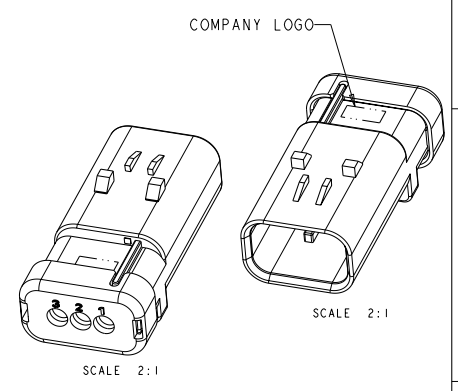
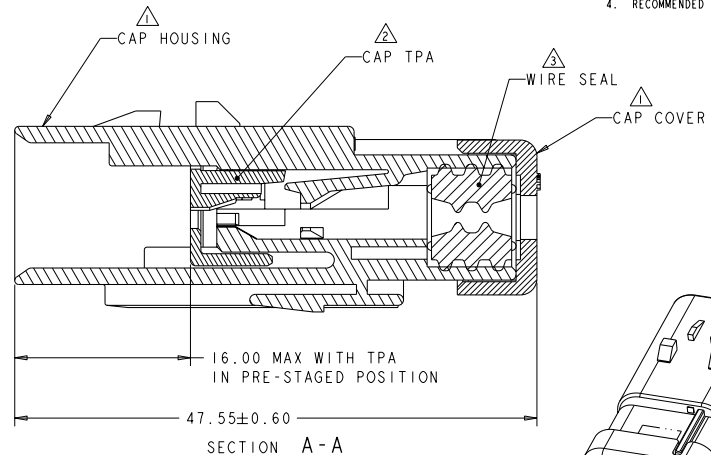
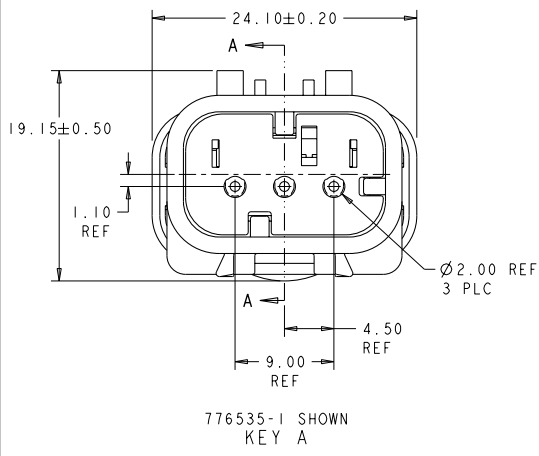


LOC	DISP	REVISIONS					
GE	00	P	LYR	DESCRIPTION	DATE	BY	APPD
		B4		REVISED PER ECO-11-005030	12MAR2011	AK	HMA



- 1 MATERIAL: 15% GLASS FILLED THERMOPLASTIC
COLOR: BLACK
- 2 MATERIAL: 15% GLASS FILLED THERMOPLASTIC
COLOR: (SEE TABLE)
- 3 MATERIAL: SILICONE
COLOR: ORANGE
- 4. RECOMMENDED WIRE DIAMETER RANGE IS 1.30 TO 2.54mm



D	GREEN	776535-4
C	YELLOW	776535-3
B	GRAY	776535-2
A	RED	776535-1
KEY	TPA COLOR	PART NUMBER

THIS DRAWING IS A CONTROLLED DOCUMENT. DWG BY PETERSON 22FEB00
CHKD BY GREINER 11DEC01
APPD BY TRULL 11DEC01

TE Connectivity

CAP ASSEMBLY, 3 POSITION, SINGLE ROW, REDUCED DIA WIRE SEAL AMPSEAL 16

PRODUCT SPEC 108-2184
APPLICATION SPEC 114-13065

WEIGHT 10 ± 1g
CUSTOMER DRAWING

SHEET CASE CODE DRAWING NO. RESTRICTED TO
A200779 ©-776535

SCALE 4:1 SHEET 1 OF 1 REV B4