

4

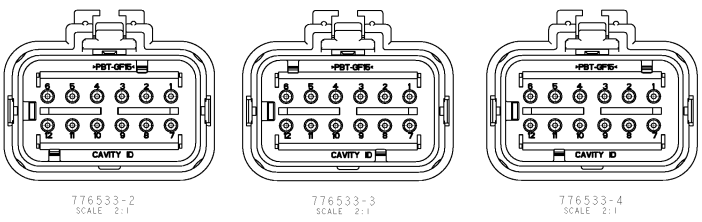
3

2

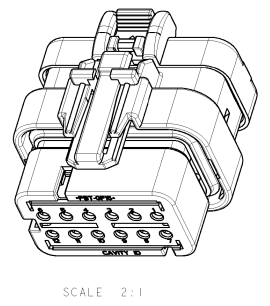
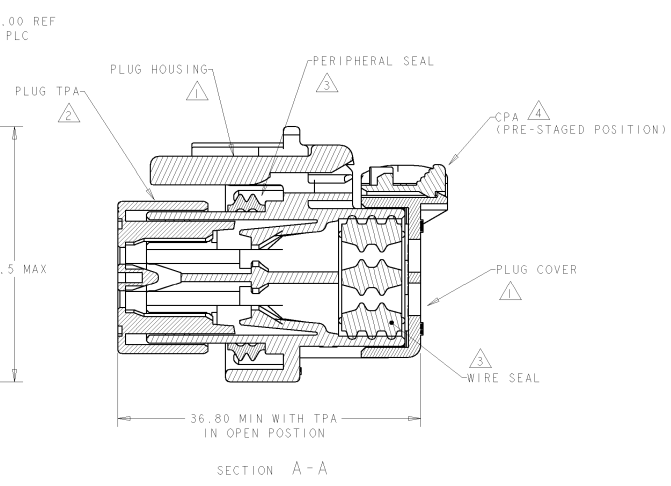
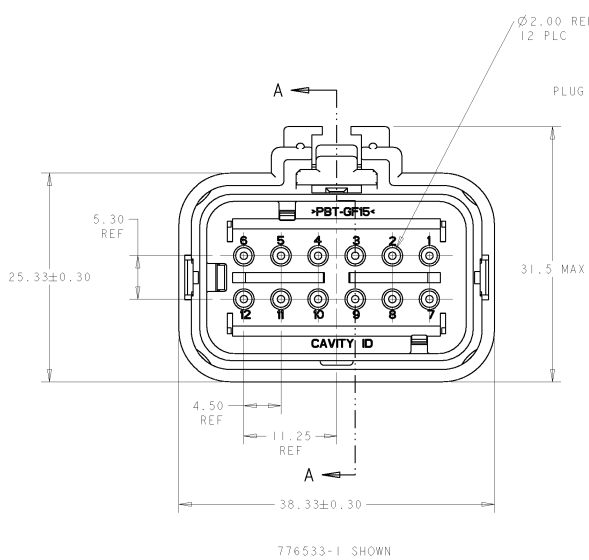
1

THIS DRAWING IS UNPUBLISHED. RELEASED FOR PUBLICATION BY ALL RIGHTS RESERVED.

LOC	DISP	REV	DESCRIPTION	DATE	BY	CHKD
GE	00	01	REVISED PER ECO-11-005294	30APR11	RK	HMR



- △ MATERIAL: 15% GLASS FILLED THERMOPLASTIC
COLOR: BLACK
- △ MATERIAL: 15% GLASS FILLED THERMOPLASTIC
COLOR: (SEE TABLE)
- △ MATERIAL: SILICONE
COLOR: ORANGE
- △ MATERIAL: 15% GLASS FILLED THERMOPLASTIC
COLOR: RED
- 5. RECOMMENDED WIRE DIAMETER RANGE IS 1.30 TO 2.54mm



TPA COLOR	PART NUMBER
GREEN	776533-4
YELLOW	776533-3
GRAY	776533-2
RED	776533-1

DIMENSIONS: mm		DWG: 03SEP2003 W. NOELSCHER CHK: 03SEP2003 J. PATTERSON APP: 03SEP2003 D. KLEIN		STE TE Connectivity PLUG ASSEMBLY, 12 POSITION, 2 ROW, AMPSEAL 16 CONNECTOR REDUCED DIA WIRE SEAL	
MATERIAL: - FINISH: -		APPLICATION SPEC: 114-13065 WEIGHT: - CUSTOMER DRAWING: -		SIZE: A2 CASE CODE: 100779 DRAWING NO: 776533 RESTRICTED TO: -	
SCALE: 3:1				SHEET 1 OF 1 REV D1	