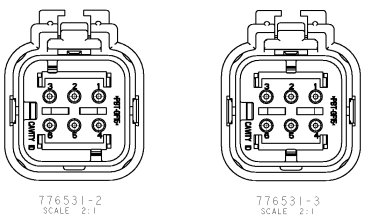
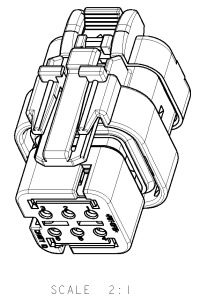
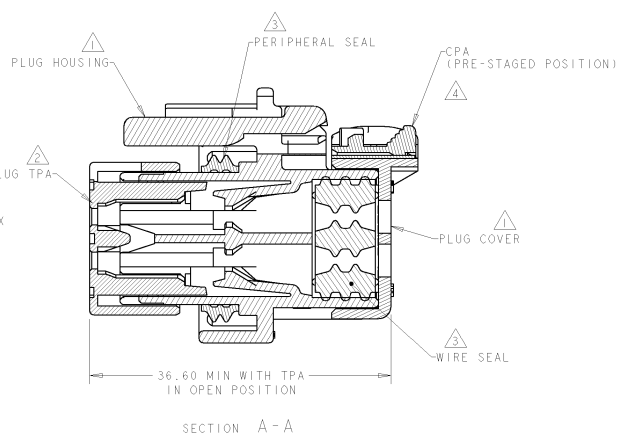
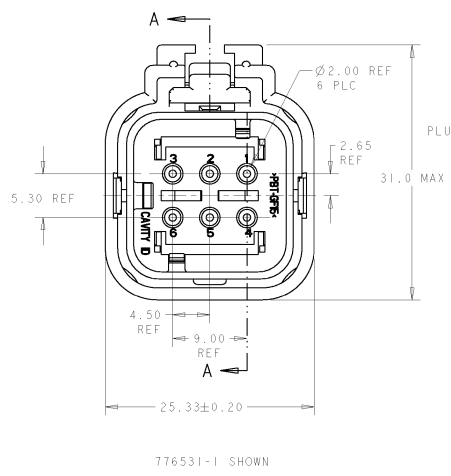


THIS DRAWING IS UNPUBLISHED. BY RELEASED FOR PUBLICATION 20
 (C) COPYRIGHT ALL RIGHTS RESERVED.

LOC	DISP	REV	DATE	BY	CHKD
GE	00	01	30APR11	RK	HMR



- △ MATERIAL: 15% GLASS FILLED THERMOPLASTIC
COLOR: BLACK
 - △ MATERIAL: 15% GLASS FILLED THERMOPLASTIC
COLOR: (SEE TABLE)
 - △ MATERIAL: SILICONE
COLOR: LIGHT BLUE
 - △ MATERIAL: 15% GLASS FILLED THERMOPLASTIC
COLOR: RED
5. RECOMMENDED WIRE DIAMETER RANGE IS 1.30 TO 2.54mm



TPA COLOR	PART NUMBER
YELLOW	776531-3
GRAY	776531-2
RED	776531-1

DIMENSIONS: mm		DWG: W. NOELSCH CBY: J. PATTERSON APPR: D. KLEIN	DATE: 04SEP2003 DATE: 04SEP2003 DATE: 04SEP2003	TE Connectivity PLUG ASSEMBLY, 6 POSITION, 2 ROW, AMPSEAL 16 CONNECTOR REDUCED DIA WIRE SEAL		SIZE: A2 CASE CODE: 100779 DRAWING NO: 776531	RESTRICTED TO: - SCALE: 3:1 SHEET: 1 OF 1 REV: C1
MATERIAL: - FINISH: -		PRODUCT SPEC: - APPLICATION SPEC: 114-13065 WEIGHT: - CUSTOMER DRAWING: -	PRODUCT SPEC: - APPLICATION SPEC: 114-13065 WEIGHT: - CUSTOMER DRAWING: -	DATE: 04SEP2003 DATE: 04SEP2003 DATE: 04SEP2003		SIZE: A2 CASE CODE: 100779 DRAWING NO: 776531	RESTRICTED TO: - SCALE: 3:1 SHEET: 1 OF 1 REV: C1