

4

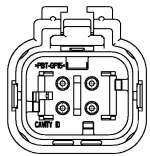
3

2

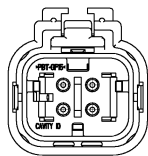
1

THIS DRAWING IS UNPUBLISHED. BY RELEASED FOR PUBLICATION ALL RIGHTS RESERVED.

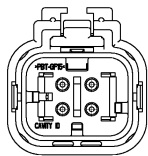
LOC	DISP	REV	DESCRIPTION	DATE	BY	CHKD
GE	00	1	REVISED PER ECO-11-00524	30APR11	RK	HMR



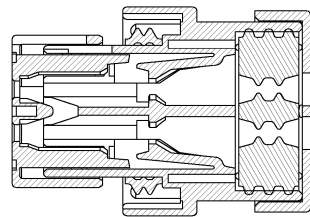
776524-2
SCALE: 2:1



776524-3
SCALE: 2:1

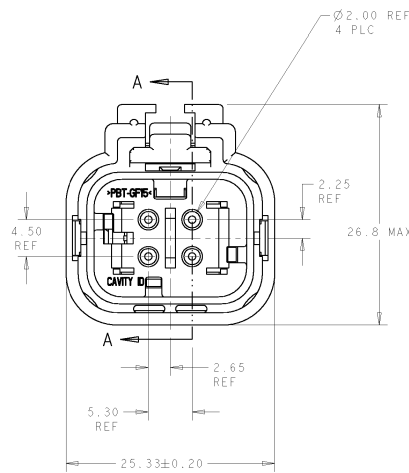


776524-4
SCALE: 2:1

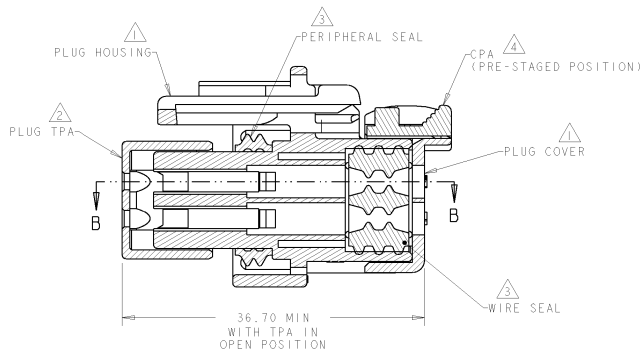


SECTION B-B

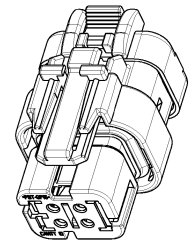
- △ MATERIAL: 15% GLASS FILLED THERMOPLASTIC
COLOR: BLACK
 - △ MATERIAL: 15% GLASS FILLED THERMOPLASTIC
COLOR: (SEE TABLE)
 - △ MATERIAL: SILICONE
COLOR: ORANGE
 - △ MATERIAL: 15% GLASS FILLED THERMOPLASTIC
COLOR: RED
5. RECOMMENDED WIRE DIAMETER RANGE IS 1.30 TO 2.54mm



776524-1 SHOWN



SECTION A-A



SCALE: 2:1

TPA COLOR	PART NUMBER
GREEN	776524-4
YELLOW	776524-3
GRAY	776524-2
RED	776524-1

DIMENSIONS:		DRAWN		DATE		REVISED		BY		CHKD		DATE		REVISED		BY		CHKD	
mm		W. NOELSCH		04SEP2003		04SEP2003		C. PATTERSON		04SEP2003		04SEP2003		04SEP2003		04SEP2003		04SEP2003	
0 PLC		-		-		-		-		-		-		-		-		-	
1 PLC		-		-		-		-		-		-		-		-		-	
2 PLC		-		-		-		-		-		-		-		-		-	
3 PLC		-		-		-		-		-		-		-		-		-	
4 PLC		-		-		-		-		-		-		-		-		-	
ANGLES		-		-		-		-		-		-		-		-		-	
FINISH		-		-		-		-		-		-		-		-		-	
MATERIAL		-		-		-		-		-		-		-		-		-	
CUSTOMER DRAWING		-		-		-		-		-		-		-		-		-	

STE TE Connectivity

PLUG ASSEMBLY, 4 POSITION, 2 ROW, AMPSEAL 16 CONNECTOR REDUCED DIA WIRE SEAL

SIZE	CASE CODE	DRAWING NO	RESTRICTED TO
A2	100779	776524	-

SCALE: 3:1 SHEET 1 OF 1 REV: C1