

4

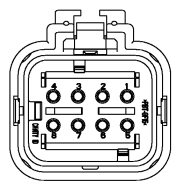
3

2

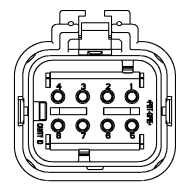
1

THIS DRAWING IS UNPUBLISHED. RELEASED FOR PUBLICATION. ALL RIGHTS RESERVED.

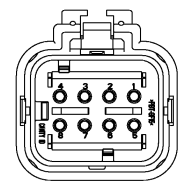
LOC	DISP	REV	DATE	BY	CHKD
GE	00	D1	30APR11	RK	HMR



776494-2  
SCALE 2:1

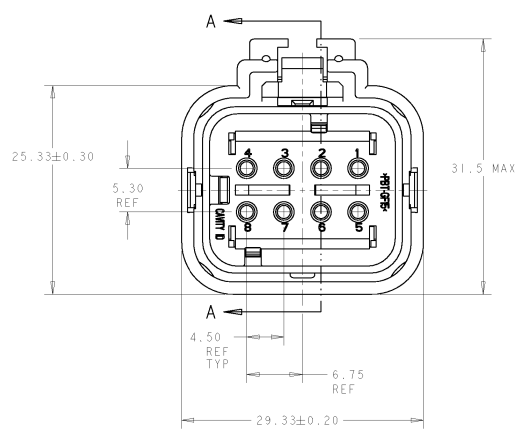


776494-3  
SCALE 2:1

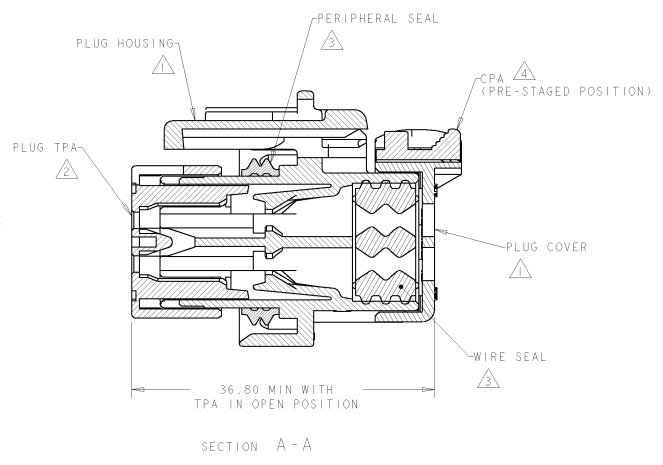


776494-4  
SCALE 2:1

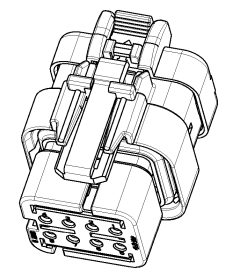
- ⚠ MATERIAL: 15% GLASS FILLED THERMOPLASTIC  
COLOR: BLACK
  - ⚠ MATERIAL: 15% GLASS FILLED THERMOPLASTIC  
COLOR: (SEE TABLE)
  - ⚠ MATERIAL: SILICONE  
COLOR: YELLOW
  - ⚠ MATERIAL: 15% GLASS FILLED THERMOPLASTIC  
COLOR: RED
5. RECOMMENDED WIRE DIAMETER RANGE IS 2.18 TO 3.67mm.



776494-1 SHOWN



SECTION A-A



SCALE 2:1

TPA COLOR	PART NUMBER
GREEN	776494-4
YELLOW	776494-3
GRAY	776494-2
RED	776494-1

DIMENSIONS: mm 		DWG: B. SIMPSON 05NOV2002 CHK: D. KLEIN 05NOV2002 DRW: D. KLEIN 05NOV2002	<p>PLUG ASSEMBLY, 8 POSITION, DUAL ROW, AMPSEAL 16</p>	RESTRICTED TO
0 PLC 1 PLC 2 PLC 3 PLC 4 PLC ANGLES FINISH	APPLICATION SPEC 114-13065 WEIGHT CUSTOMER DRAWING	SIZE CASE CODE DRAWING NO A2100779 776494		SCALE 3:1 SHEET 1 OF 1 REV D1