

4

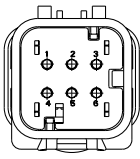
3

2

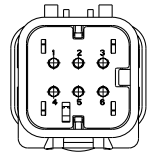
1

THIS DRAWING IS UNPUBLISHED. RELEASED FOR PUBLICATION. ALL RIGHTS RESERVED.

LOC	DISP	REVISIONS					
GE	00	P	LY	DESCRIPTION	DATE	BY	APPD
		C2		REVISED PER ECO-11-005030	12MAR2011	AK	HMA

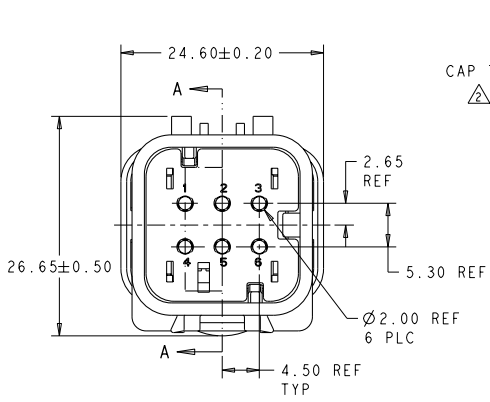


776434-2
SCALE 2:1

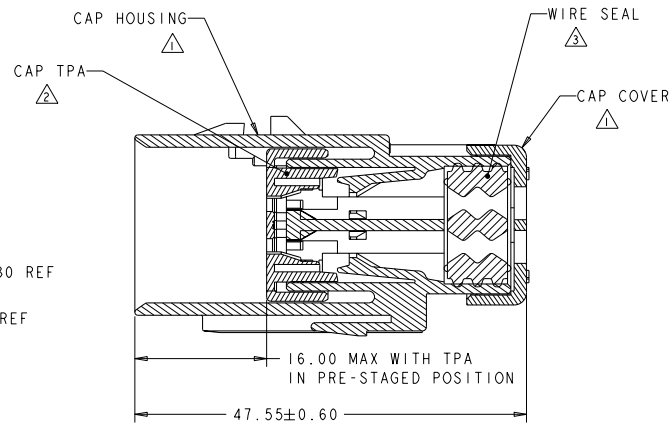


776434-3
SCALE 2:1

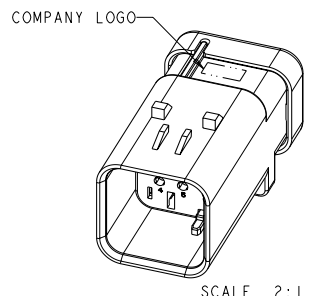
- △ MATERIAL: 15% GLASS FILLED THERMOPLASTIC
COLOR: BLACK
- △ MATERIAL: 15% GLASS FILLED THERMOPLASTIC
COLOR: (SEE TABLE)
- △ MATERIAL: SILICONE
COLOR: RED



776434-1 SHOWN



SECTION A-A



SCALE 2:1

YELLOW	776434-3
GRAY	776434-2
RED	776434-1
TPA COLOR	PART NUMBER

THIS DRAWING IS A CONTROLLED DOCUMENT. **TE** TE Connectivity

DIMENSIONS: mm 	TO MANUFACTURE: OPTIMISTIC SPECIES	DWG: A.J. GRAEF 13JUN00 CHK: R. GREINER 03JAN02 APPR: M. TRULL 03JAN02 NAME:	PRODUCT SPEC: APPLICATION SPEC: 114-13065 WEIGHT: CUSTOMER DRAWING	SHEET: A200779 CASE CODE: C-776434 DRAWING NO:	RESTRICTED TO: SCALE: 2:1 SHEET: 1 OF 1 REV: C2
-----------------------	---------------------------------------	---	--	--	--