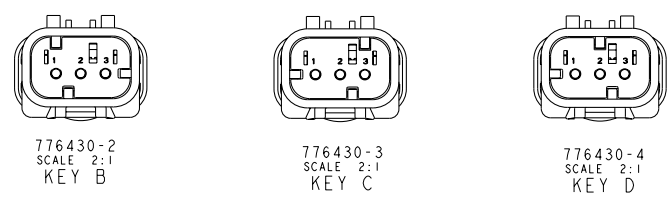
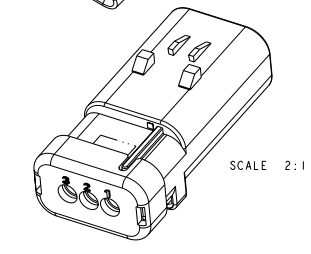
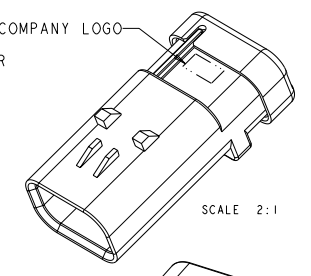
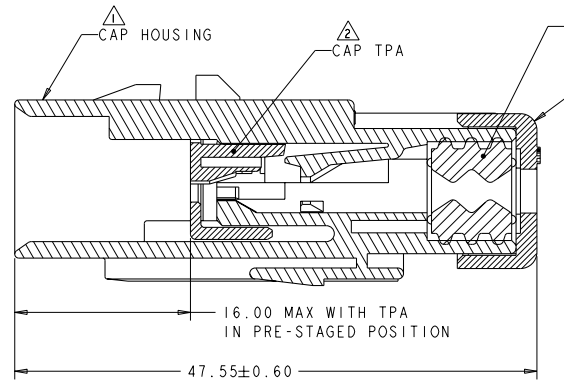
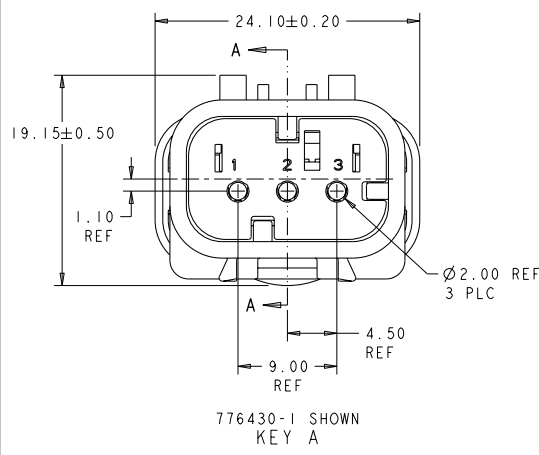


LOC	DISP	REVISIONS					
GE	00	P	LYA	DESCRIPTION	DATE	BY	APPR
		D3		REVISED PER ECO-11-005030	12MAR2011	AK	HMR

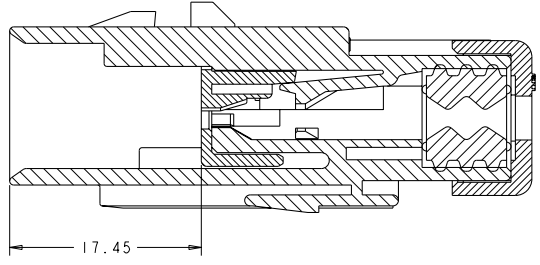


- △ MATERIAL: 15% GLASS FILLED THERMOPLASTIC
COLOR: BLACK
- △ MATERIAL: 15% GLASS FILLED THERMOPLASTIC
COLOR: (SEE TABLE)
- △ MATERIAL: SILICONE
COLOR: YELLOW
- 4. RECOMMENDED WIRE DIAMETER RANGE IS 2.18 TO 3.67mm.



776430-1 SHOWN
KEY A

SECTION A-A



SECTION A-A
WITH TPA IN CLOSED POSITION

D	GREEN	776430-4
C	YELLOW	776430-3
B	GRAY	776430-2
A	RED	776430-1
KEY	TPA COLOR	PART NUMBER

THIS DRAWING IS A CONTROLLED DOCUMENT. OWN BY PETERSON 22FEB00
 CREATOR GREINER 11DEC01
 APPROVED TRULL 11DEC01
 TO BE RELEASED TO: PRODUCT SPEC NAME
 108-2184
 APPLICATION SPEC 114-13065
 MATERIAL FINISH WEIGHT 10±1g
 CUSTOMER DRAWING

TE TE Connectivity
 CAP ASSEMBLY, SINGLE ROW, AMPSEAL 16
 SHEET CASE CODE DRAWING NO. 200779 ©-776430
 RESTRICTED TO
 SCALE 4:1 SHEET 1 OF 1 REV D3