

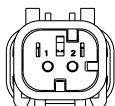
4

3

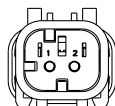
2

1

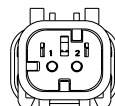
THIS DRAWING IS UNPUBLISHED. RELEASED FOR PUBLICATION. BY: ALL RIGHTS RESERVED.



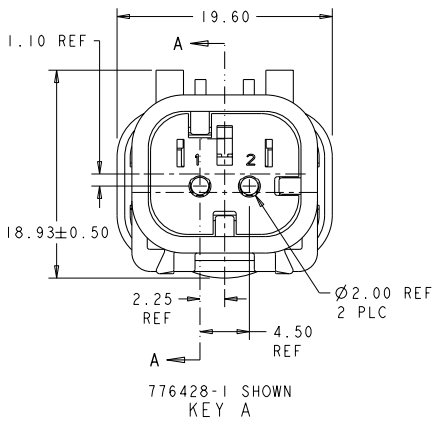
776428-2
SCALE 2:1
KEY B



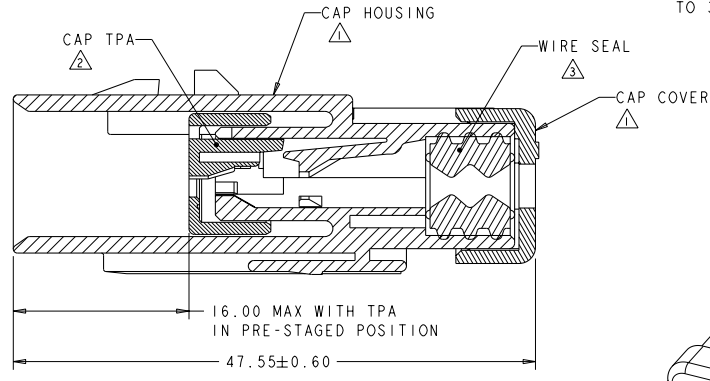
776428-3
SCALE 2:1
KEY C



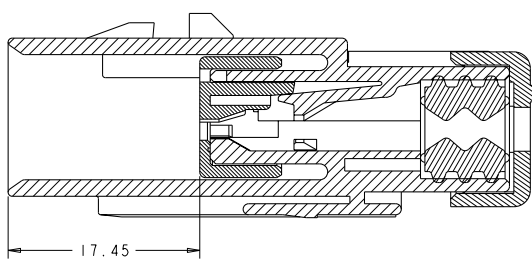
776428-4
SCALE 2:1
KEY D



776428-1 SHOWN
KEY A



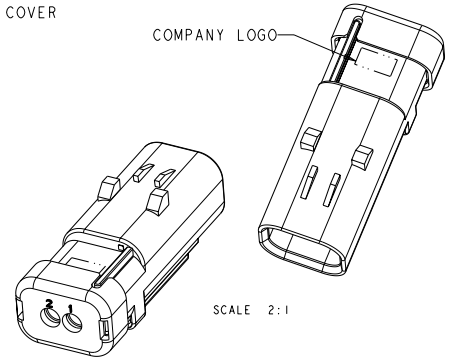
SECTION A-A



SECTION A-A
WITH TPA IN CLOSED POSITION

LOC	DISP	REV	DESCRIPTION	DATE	BY	APPD
GE	00	D3	REVISED PER ECO-11-005030	11MAR2011	AK	HMA

- △ MATERIAL: 15% GLASS FILLED THERMOPLASTIC COLOR: BLACK
- △ MATERIAL: 15% GLASS FILLED THERMOPLASTIC COLOR: (SEE TABLE)
- △ MATERIAL: SILICONE COLOR: RED
- 4. RECOMMENDED WIRE DIAMETER RANGE IS 2.18 TO 3.67mm.



GREEN	776428-4
YELLOW	776428-3
GRAY	776428-2
RED	776428-1
TPA COLOR	PART NUMBER

THIS DRAWING IS A CONTROLLED DOCUMENT. OWN: T. PETERSON 22FEB00. CDR: R. GREINER. APPROV: M. TRULL. DATE: 108-2184. APPLICATION SPEC: 114-13065. WEIGHT: 9±1g. MATERIAL: FINISH: CUSTOMER DRAWING.

TE Connectivity
CAP ASSEMBLY, 2 POSITION, SINGLE ROW, AMPSEAL 16
SITE: A200779. CASE CODE: 776428. DRAWING NO: 776428. SCALE: 4:1. SHEET 1 OF 1. REV D3.