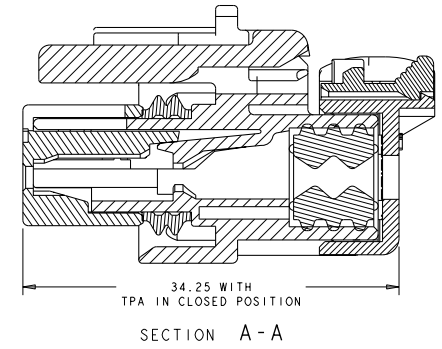
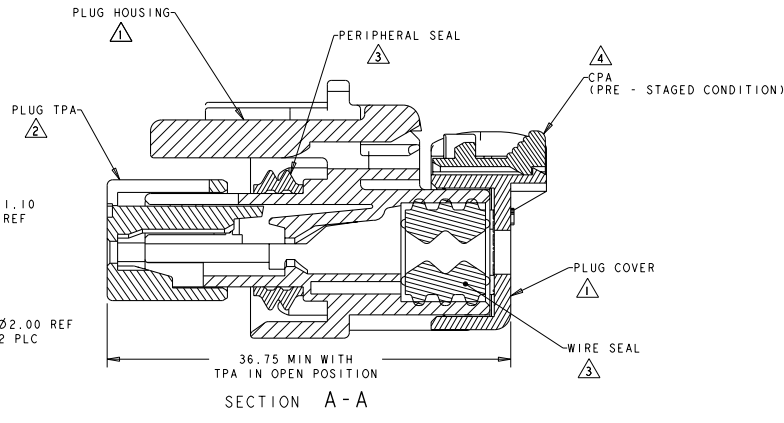
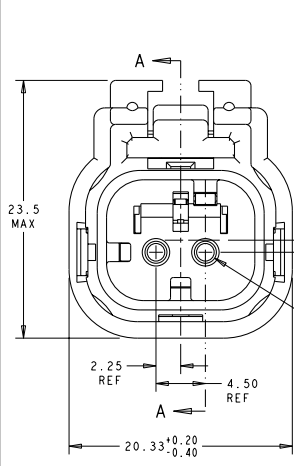
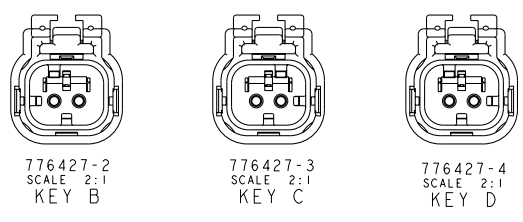
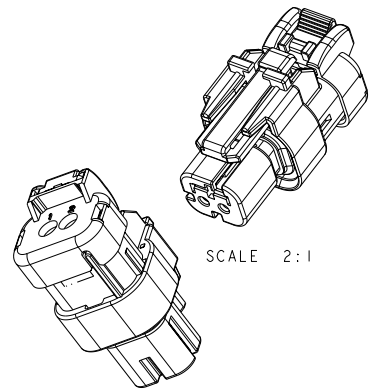


LOC	DISP	REVISIONS					
GE	00	P	LY	DESCRIPTION	DATE	BY	APPR
		F4		REVISED PER ECO-11-011612	03JUN2011	DLD	DLD



- ⚠ MATERIAL: 15% GLASS FILLED THERMOPLASTIC COLOR: BLACK
- ⚠ MATERIAL: 15% GLASS FILLED THERMOPLASTIC COLOR: (SEE TABLE)
- ⚠ MATERIAL: SILICONE COLOR: RED
- ⚠ MATERIAL: 15% GLASS FILLED THERMOPLASTIC COLOR: RED
- 5. RECOMMENDED WIRE DIAMETER RANGE IS 2.18 TO 3.67mm.



D	GREEN	776427-4
C	YELLOW	776427-3
B	GRAY	776427-2
A	RED	776427-1
KEY	TPA COLOR	PART NUMBER

THIS DRAWING IS A CONTROLLED DOCUMENT. **TE** TE Connectivity

DIMENSIONS: mm TOLERANCES UNLESS OTHERWISE SPECIFIED: 0 PLC ±.1 1 PLC ±.15 2 PLC ±.2 3 PLC ±.3 4 PLC ±.4 ANGLES ±.5 FINISH -	DWG: A.J. GRAEF 22FEB00 CHK: R. GREINER 11DEC01 APPR: M. TRULL 11DEC01 PRODUCT SPEC: 108-2184 APPLICATION SPEC: 114-13065 WEIGHT: 8±1g CUSTOMER DRAWING	NAME: TIDECOI SHEET: A200779 CASE CODE: C-776427 DRAWING NO: 114-13065 SCALE: 4:1 SHEET 1 OF 1 REV F 4
--	---	--

PLUG ASSEMBLY, 2 POSITION, SINGLE ROW AMPSEAL 16