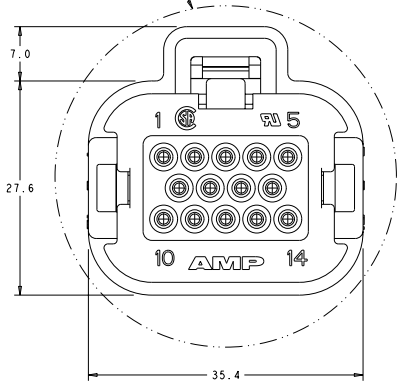
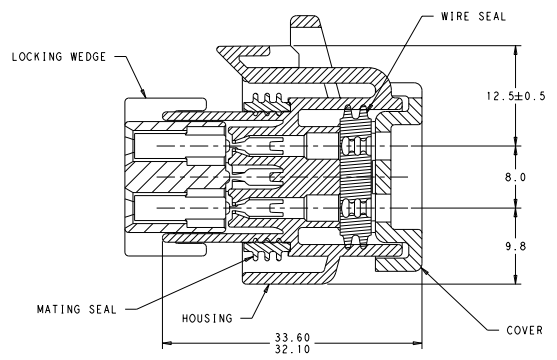


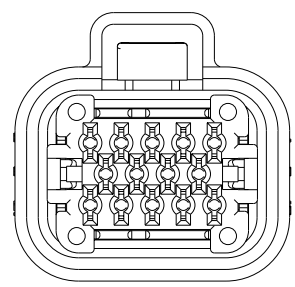
8	7	6	5	4	3	2	1
DATE MARKING TO IMPROVE	REVISIONS FOR PUBLICATION						
© 20152022	ALL RIGHTS RESERVED						

REV	DATE	DESCRIPTION	BY	CHK	APP
F1		REVISED PER ECO-11-005030			

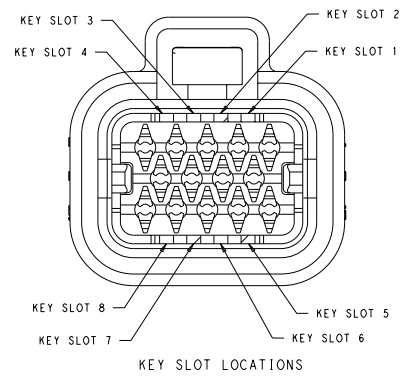
ASSEMBLY WILL PASS THRU Ø44 OPENING



△ HOUSING COLORS ARE MECHANICALLY KEyed TO MATE WITH IDENTICALLY COLORED HEADER ASSEMBLIES.



BOTTOM VIEW WITH LOCKING WEDGE



KEY SLOT LOCATIONS

3 & 5	776273-5
2 & 8	776273-4
1 & 6	776273-2
3 & 7	776273-1
KEY SLOT LOCATION (SEE VIEW ABOVE)	PART NUMBER

GLASS FILLED PBT, BLACK	SILICONE RUBBER, GREEN	SILICONE RUBBER, GREEN	PBT, RED	PBT, BLUE	776273-5
				PBT, GRAY	776273-4
				PBT, NATURAL	776273-2
				PBT, BLACK	776273-1
COVER	WIRE SEAL	MATING SEAL	LOCKING WEDGE	△ HOUSING	PART NUMBER

THIS DRAWING IS A CONTROLLED DOCUMENT. **STE** TE Connectivity  
 DRAWING NO. 100-1329  
 REV. 1  
 DATE 00779  
 SCALE CODE (DRAWING NO.) A | 00779 | 776273  
 CUSTOMER DRAWING