

4

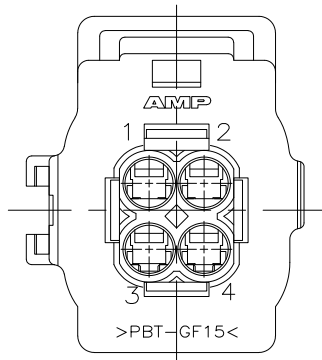
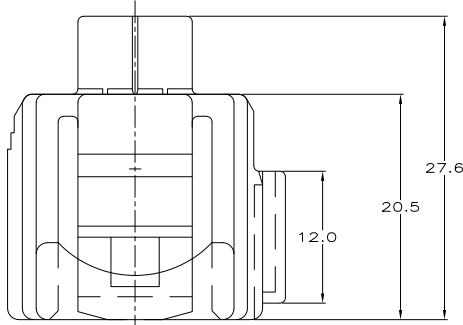
3

2

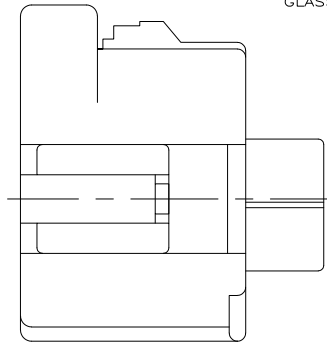
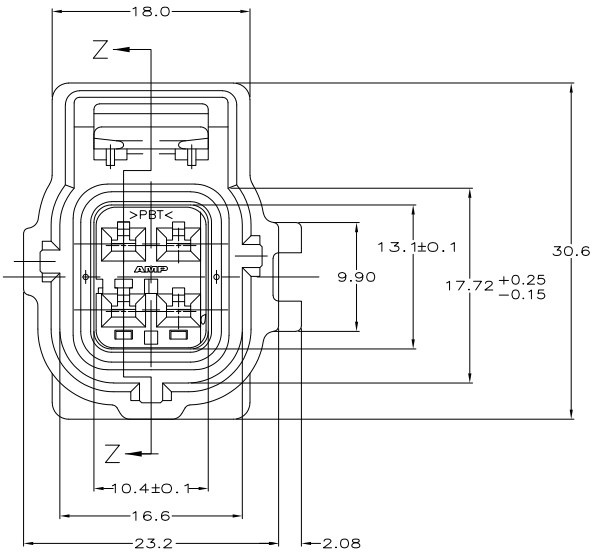
1

THIS DRAWING IS UNPUBLISHED. RELEASED FOR PUBLICATION.
 BY TYCO ELECTRONICS CORPORATION. ALL INTERNATIONAL RIGHTS RESERVED.

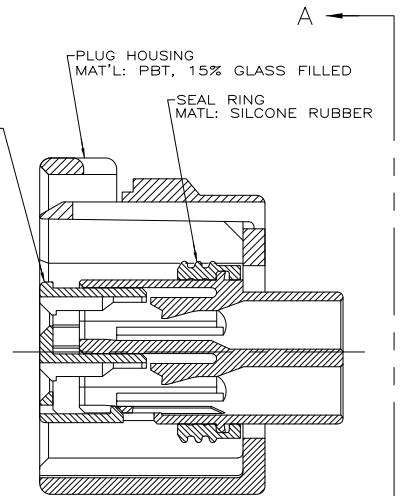
LOC	DIST	REVISIONS					
GE	00	F	LN	DESCRIPTION	DATE	BY	APP'D
		B		REVISED PER ECO-09-008507	09APR2009	DD	MB



VIEW A-A



DBL LOCK PLATE
 MAT'L: PBT, 15%
 GLASS FILLED



SECTION Z-Z
 SCALE 4:1

BLACK	184394-1
PLUG COLOR	PART NUMBER

THIS DRAWING IS A CONTROLLED DOCUMENT.		DRN	184394-1	184394-1	184394-1
		AL CRAFT	184394-1	184394-1	184394-1
		CHK	184394-1	184394-1	184394-1
		K COBLE	184394-1	184394-1	184394-1
		JAPD	184394-1	184394-1	184394-1
		K COBLE	184394-1	184394-1	184394-1
		PRODUCT SPEC	184394-1	184394-1	184394-1
		APPLICATION SPEC	184394-1	184394-1	184394-1
		WEIGHT	184394-1	184394-1	184394-1
		CUSTOMER DRAWING	184394-1	184394-1	184394-1

Tyco Electronics Corporation
 Harrisburg, PA 17105-3608

2 X 2 PLG ASY KEY A-C3 W/MULTI

SIZE: A2 00779 C=184394

SCALE: 4:1 SHEET: 1 of 1 REV: B