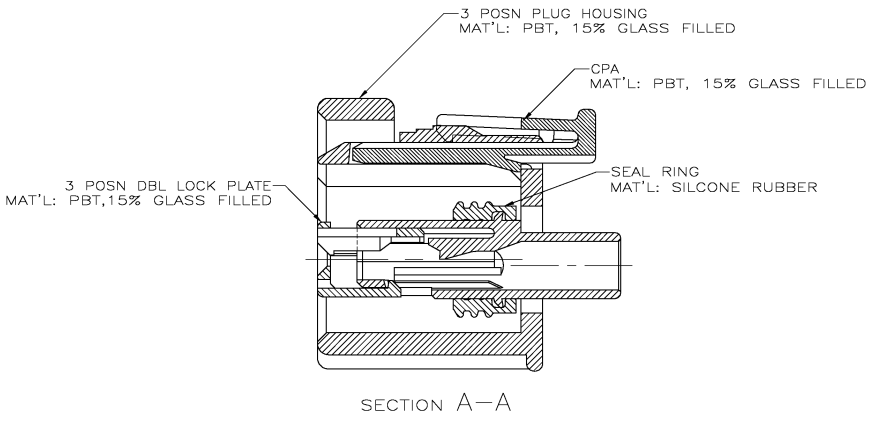
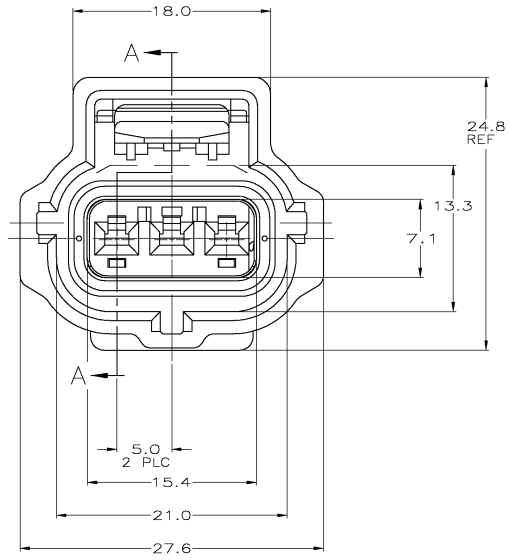
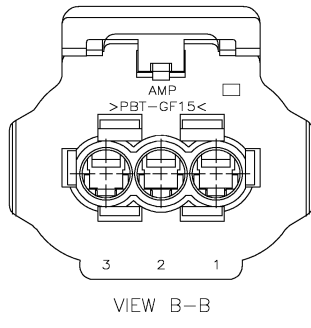
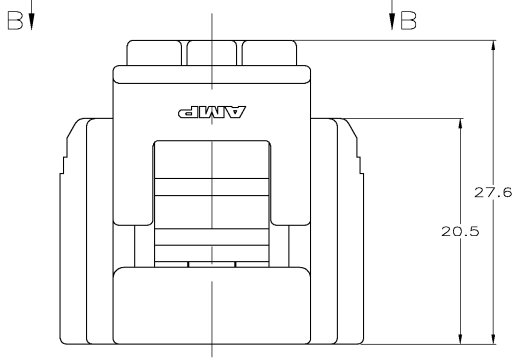


THIS DRAWING IS UNPUBLISHED. RELEASED FOR PUBLICATION
 BY TYCO ELECTRONICS CORPORATION. ALL RIGHTS RESERVED.

LOC	DIST	REVISIONS					
GE	16	P	LTR	DESCRIPTION	DATE	OWN	APP'D
		D		REVISED PER EC 0K40-0387-04	19NOV2004	DLD	KLK



184270-1
 PART NUMBER

THIS DRAWING IS A CONTROLLED DOCUMENT.		DRW	K. WISE	05/24/98	 Tyco Electronics Corporation Harrisburg, Pa 17105-3508	1 X 3 PLUG ASSEMBLY KEY A-C3 WITH CPA	RESTRICTED TO
DIMENSIONS:		CHK	H. YARB	05/26/98			
mm		APP'D	C. HYERB	05/26/98			
0 PLC ± - 1 PLC ± - 2 PLC ± 0.3 3 PLC ± - 4 PLC ± - ANGLES ± 1°		PRODUCT SPEC		SEE DATE CODE DRAWING NO			
MATERIAL	FINISH	APPLICATION SPEC		WEIGHT	SEE DATE CODE DRAWING NO	A2 00779 © 184270	
CUSTOMER DRAWING		SCALE		4:1	SHEET	1 OF 1	REV D

AMP 1471-9 REV 31 MAR 2000