

4

3

2

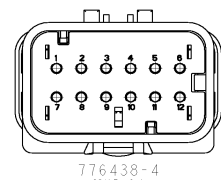
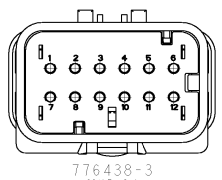
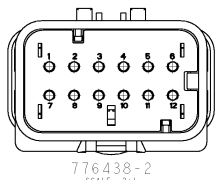
1

THIS DRAWING IS UNPUBLISHED. RELEASED FOR PUBLICATION. ALL RIGHTS RESERVED. (C) COPYRIGHT

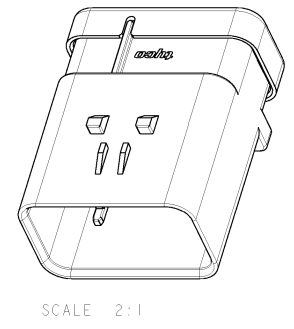
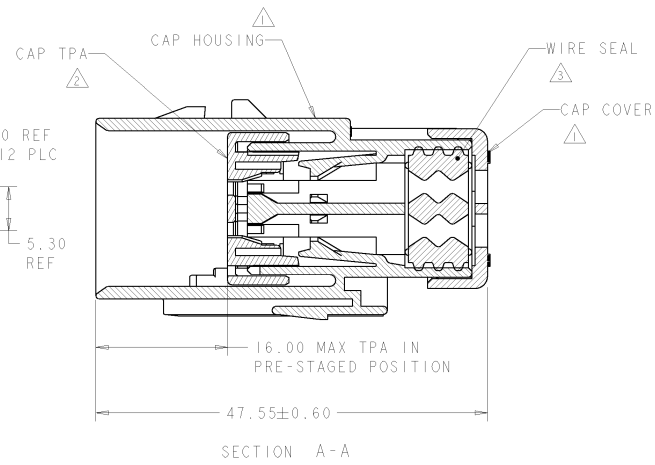
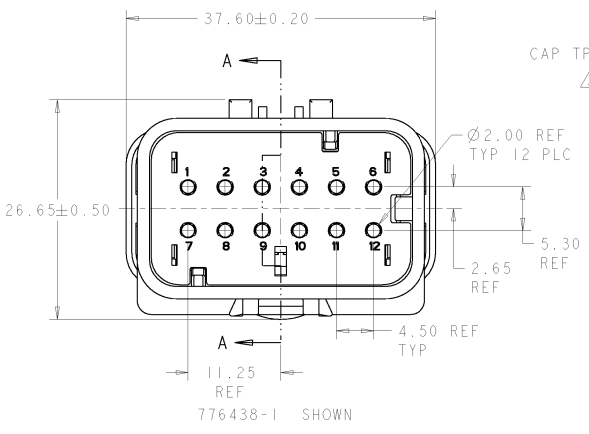
LOC	DISP	REV	DATE	BY	CHKD
GE	00				

REVISIONS		DATE	BY	CHKD
DESCRIPTION				
C1	REVISED PER ECO-11-005294	20APR11	RK	HMR



- △ MATERIAL: 15% GLASS FILLED THERMOPLASTIC  
COLOR: BLACK
- △ MATERIAL: 15% GLASS FILLED THERMOPLASTIC  
COLOR: (SEE TABLE)
- △ MATERIAL: SILICONE  
COLOR: YELLOW



TPA COLOR	PART NUMBER
GREEN	776438-4
YELLOW	776438-3
GRAY	776438-2
RED	776438-1

DIMENSIONS: mm		DWG: J. GRAFF 09DEC99 CHK: R. GREINER 03JAN02 APP: M. TRILLI 03JAN02		TE Connectivity	
PRODUCT SPEC: 114-13065		APPLICATION SPEC: 114-13065		SIZE: A2 CASE CODE: 00779 DRAWING NO: 776438	
MATERIAL: - FINISH: -		CUSTOMER DRAWING		RESTRICTED TO: - SCALE: 2:1 SHEET: 1 OF: 1 REV: C1	