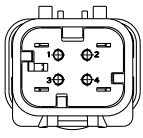
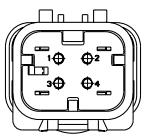


THIS DRAWING IS UNPUBLISHED. RELEASED FOR PUBLICATION. ALL RIGHTS RESERVED.

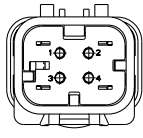
LOC	DISP	REVISIONS					
GE	00	P	LYR	DESCRIPTION	DATE	BY	APPR
		C2		REVISED PER ECO-11-005030	12MAR2011	JK	HMR



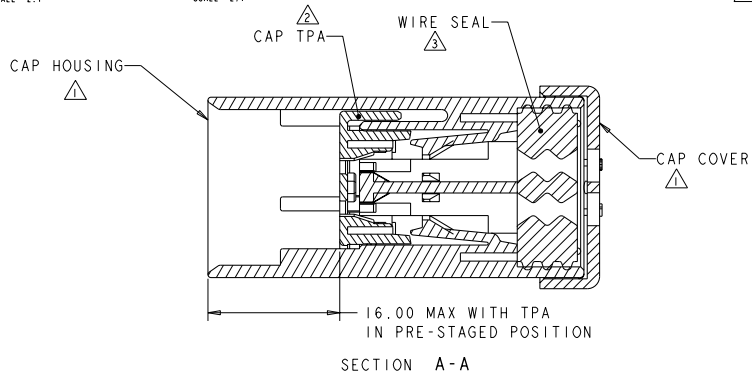
776488-2  
SCALE 2:1



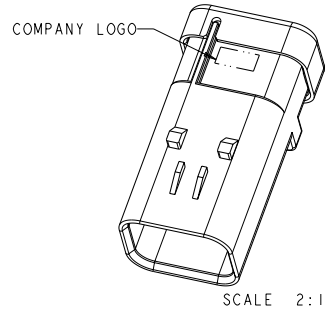
776488-3  
SCALE 2:1



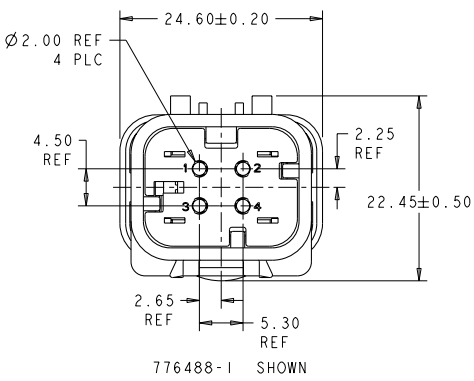
776488-4  
SCALE 2:1



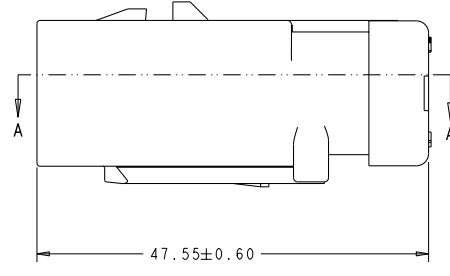
- △ MATERIAL: 15% GLASS FILLED THERMOPLASTIC  
COLOR: BLACK
- △ MATERIAL: 15% GLASS FILLED THERMOPLASTIC  
COLOR: (SEE TABLE)
- △ MATERIAL: SILICONE  
COLOR: YELLOW



SCALE 2:1



776488-1 SHOWN



GREEN	776488-4
YELLOW	776488-3
GRAY	776488-2
RED	776488-1
TPA COLOR	PART NUMBER

THIS DRAWING IS A CONTROLLED DOCUMENT. DWG NO. MOELSCHER 16DEC02  
 CHK'D BY SIMPSON 18DEC02  
 APP'D BY KLEIN 18DEC02

**TE** TE Connectivity

CAP ASSEMBLY,  
 4 POSITION, DUAL ROW,  
 AMPSEAL 16

DIMENSIONS:	mm	0 PLC	±	1 PLC	±	2 PLC	±	3 PLC	±	4 PLC	±	ANGLES	±	MATERIAL	FINISH	WEIGHT	SHEET	CASE CODE	DRAWING NO.	RESTRICTED TO
																	A200779	776488		

CUSTOMER DRAWING SCALE 3:1 SHEET 1 OF 1 REV C2