

4

3

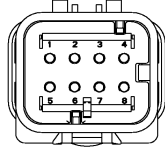
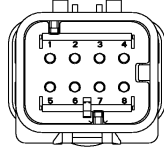
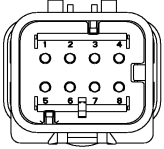
2

1

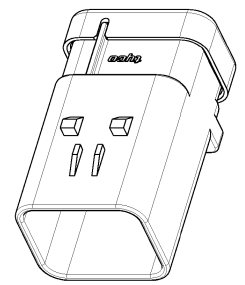
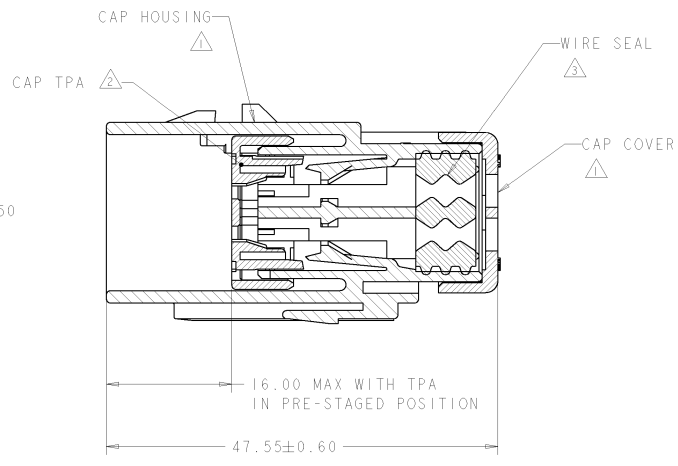
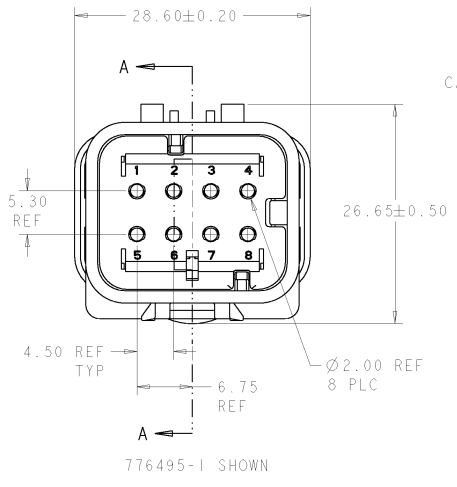
THIS DRAWING IS UNPUBLISHED. RELEASED FOR PUBLICATION. (C) COPYRIGHT BY ALL RIGHTS RESERVED.

LOC	DISP	REV	DATE	BY	CHKD
GE	00				

REVISIONS		DATE	BY	CHKD
CF	REVISED PER ECO-11-005294	21APR11	RK	HMR



- △ MATERIAL: 15% GLASS FILLED THERMOPLASTIC
COLOR: BLACK
- △ MATERIAL: 15% GLASS FILLED THERMOPLASTIC
COLOR: (SEE TABLE)
- △ MATERIAL: SILICONE
COLOR: YELLOW



TPA COLOR	PART NUMBER
GREEN	776495-4
YELLOW	776495-3
GRAY	776495-2
RED	776495-1

DIMENSIONS: mm		DRAWN BY: PETERSON		DATE: 7DEC02	
CHECKED BY: GREINER		DATE: 7DEC02		REV: 00	
APPROVED BY: GREINER		DATE: 7DEC02		REV: 00	
PRODUCT SPEC: 114-13065		APPLICATION SPEC: 114-13065		WEIGHT: -	
MATERIAL: -		FINISH: -		CUSTOMER DRAWING	
SCALE: 2:1		SHEET: 1 OF 1		REV: C1	



CAP ASSEMBLY, 8 POSITION, DUAL ROW, AMPSEAL 16