

4

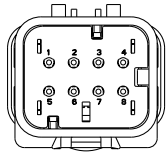
3

2

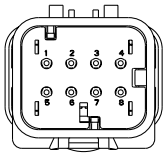
1

THIS DRAWING IS UNPUBLISHED. RELEASED FOR PUBLICATION. BY: ALL RIGHTS RESERVED.

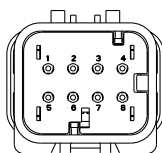
LOC	DISP	REVISIONS					
GE	00	P	LY	DESCRIPTION	DATE	BY	APPR
		B4		REVISED PER ECO-11-005030	11MAR2011	AK	HMR



776538-2
SCALE 2:1



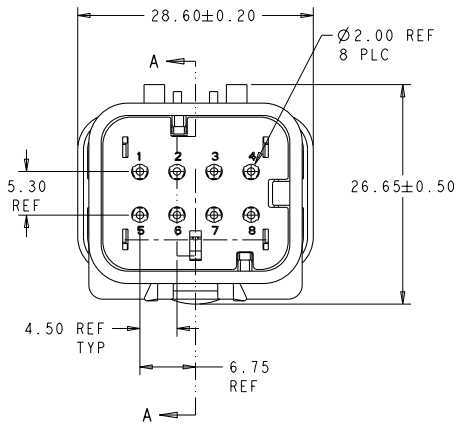
776538-3
SCALE 2:1



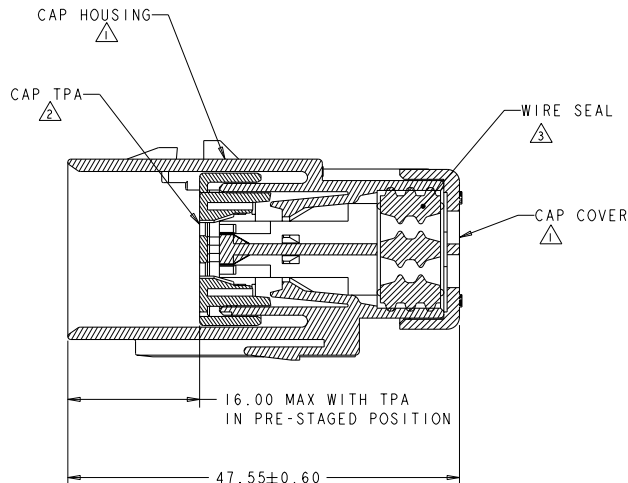
776538-4
SCALE 2:1

- △ MATERIAL: 15% GLASS FILLED THERMOPLASTIC
COLOR: BLACK
- △ MATERIAL: 15% GLASS FILLED THERMOPLASTIC
COLOR: (SEE TABLE)
- △ MATERIAL: SILICONE
COLOR: ORANGE

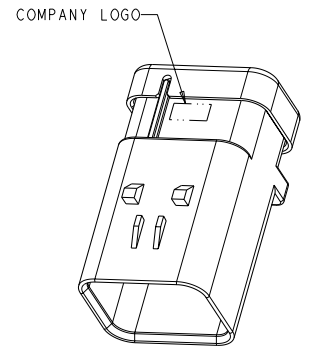
4. RECOMMENDED WIRE DIAMETER RANGE IS 1.30 TO 2.54mm



776538-1 SHOWN



SECTION A-A



SCALE 2:1

GREEN	776538-4
YELLOW	776538-3
GRAY	776538-2
RED	776538-1
TPA COLOR	PART NUMBER

THIS DRAWING IS A CONTROLLED DOCUMENT.		OWN Y. PETERSON	7DEC02																				
DIMENSIONS: mm		CHK R. GREINER	17DEC02																				
TO MANUFACTURE OPTIMISTIC SPECIFICS		APP'D R. GREINER	17DEC02																				
<table border="0"> <tr><td>0</td><td>PLC</td><td>±</td></tr> <tr><td>1</td><td>PLC</td><td>±</td></tr> <tr><td>2</td><td>PLC</td><td>±</td></tr> <tr><td>3</td><td>PLC</td><td>±</td></tr> <tr><td>4</td><td>PLC</td><td>±</td></tr> <tr><td>ANGLES</td><td></td><td>±</td></tr> </table>		0	PLC	±	1	PLC	±	2	PLC	±	3	PLC	±	4	PLC	±	ANGLES		±	NAME	TE Connectivity		
0	PLC	±																					
1	PLC	±																					
2	PLC	±																					
3	PLC	±																					
4	PLC	±																					
ANGLES		±																					
MATERIAL		FINISH	WEIGHT	RESTRICTED TO																			
				A200779 ©-776538																			
		CUSTOMER DRAWING	SCALE 2:1	SHEET 1 OF 1	REV B4																		