

4

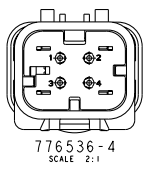
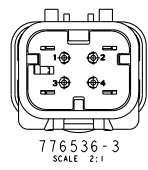
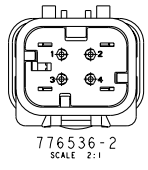
3

2

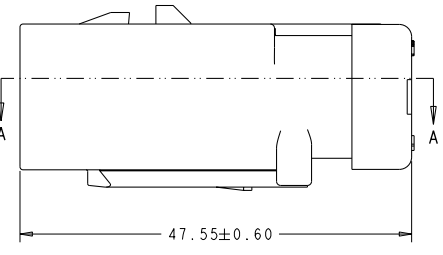
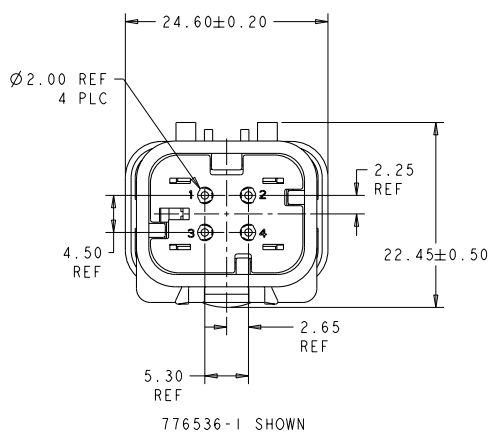
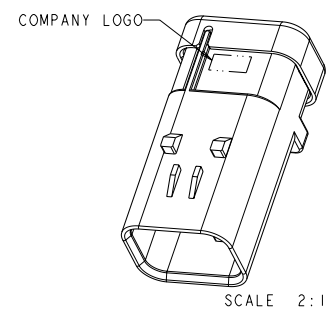
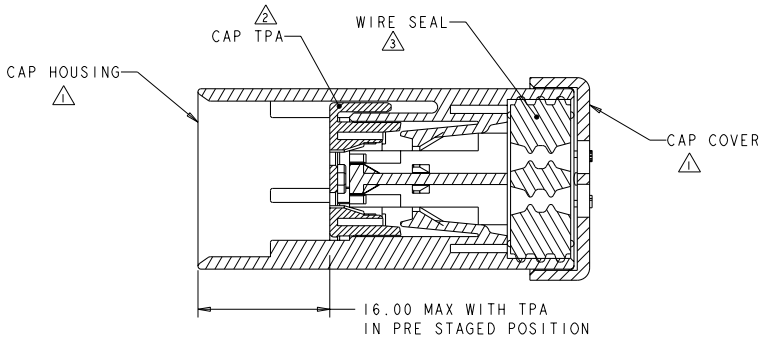
1

THIS DRAWING IS UNPUBLISHED. RELEASED FOR PUBLICATION. ALL RIGHTS RESERVED.

LOC	DISP	REVISIONS					
GE	00	P	LY	DESCRIPTION	DATE	BY	APPR
		B3		REVISED PER ECO-11-005030	12MAR2011	JK	HMA



- 1 MATERIAL: 15% GLASS FILLED THERMOPLASTIC
COLOR: BLACK
- 2 MATERIAL: 15% GLASS FILLED THERMOPLASTIC
COLOR: (SEE TABLE)
- 3 MATERIAL: SILICONE
COLOR: ORANGE
- 4. RECOMMENDED WIRE DIAMETER RANGE IS 1.30 TO 2.54mm



GREEN	776536-4
YELLOW	776536-3
GRAY	776536-2
RED	776536-1
TPA COLOR	PART NUMBER

THIS DRAWING IS A CONTROLLED DOCUMENT. DW: W. HOELSCHER 04SEP03
 CHK: J. PATTERSON 04SEP03
 APPR: D. KLEIN 04SEP03

TE Connectivity

NAME: CAP ASSEMBLY, 4 POSITION, 2 ROW, AMPSEAL 16 CONNECTOR, REDUCED DIA WIRE SEAL

APPLICATION SPEC: 114-13065

WEIGHT: A200779

CUSTOMER DRAWING

SCALE: 3:1

SHEET 1 OF 1

REV B3