

4

3

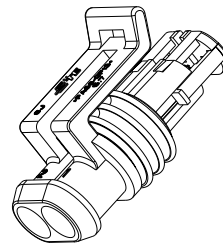
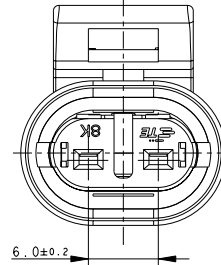
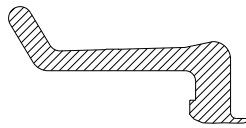
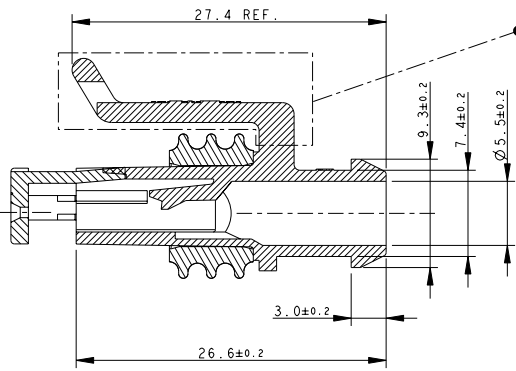
2

1

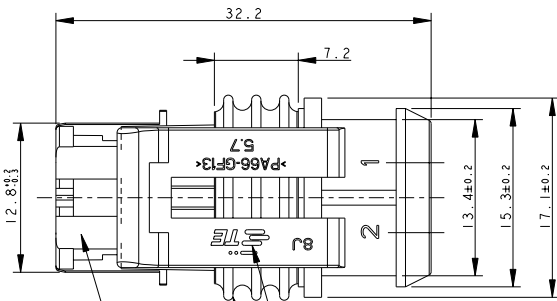
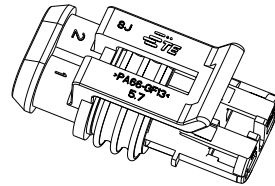
THIS DRAWING IS UNPUBLISHED. RELEASED FOR PUBLICATION 2011  
COPYRIGHT 2011 ALL RIGHTS RESERVED.

REVISONS		DATE	OWN	APVD
P	LTR	DESCRIPTION		
C5		REVISED FOR ECR-11-009825	20MAY2011	M.G. M.G.
C6		REVISED BY ECR-11-024280	13DEC2011	M.F. M.G.

ALTERNATIVE DESIGN OF LOCKING LANCE



1) FOR COUNTERPART DETAILS, SEE SHEET 2 OF 2



BROWN	PA66-GF	282080-4
GREEN		282080-3
GRAY		282080-2
BLACK		282080-1
FINISH/COLOR	MATERIAL	PART NUMBER

TE CONNECTIVITY TRADE MARK, (IN ALTERNATIVE: "ADIP" LOGO, OR "Tyco Electronics" LOGO)

SEALING (SILICONE RUBBER)

PRE-ASSEMBLED SECONDARY LOCK (RED COLOR)

THIS DRAWING IS A CONTROLLED DOCUMENT.

DIMENSIONS:	TOLERANCES UNLESS OTHERWISE SPECIFIED:
mm	0 PLC ±
	1 PLC ±0.3
	2 PLC ±
	3 PLC ±
	4 PLC ±
	ANGLES ±2°
MATERIAL	FINISH

OWN	05-1992
CHK	C. BERTINI
	A. BRUNI
APVD	-
NAME	
PRODUCT SPEC	108-20090
APPLICATION SPEC	412-20000
WEIGHT	2.60gr
CUSTOMER DRAWING	

TE Connectivity

AMP SUPERSEAL 1.5 SRS.  
2 POSITIONS PLUG ASS'Y

SIZE	CAGE CODE	DRAWING NO	RESTRICTED TO
A3	00779	C-282080	-
SCALE	SHEET	OF	REV
5:1	1	2	C6

1470-19 (3/11)

Proj/ENGINEER DRAWING

4

3

2

1

THIS DRAWING IS UNPUBLISHED.

RELEASED FOR PUBLICATION 2011

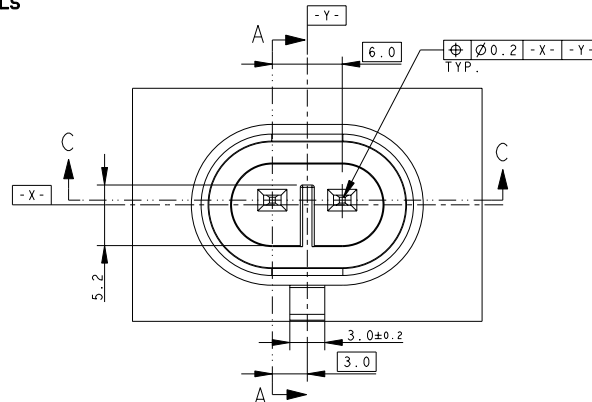
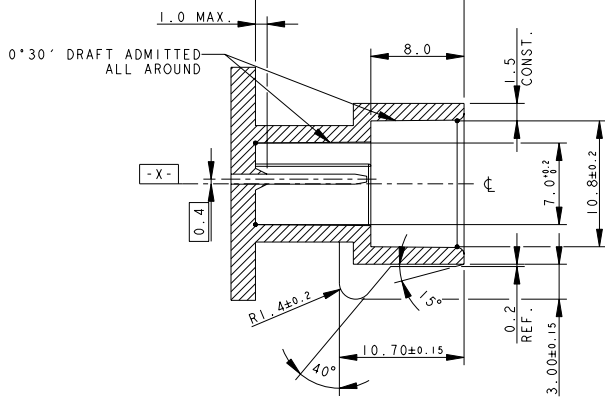
© COPYRIGHT 2011

ALL RIGHTS RESERVED.

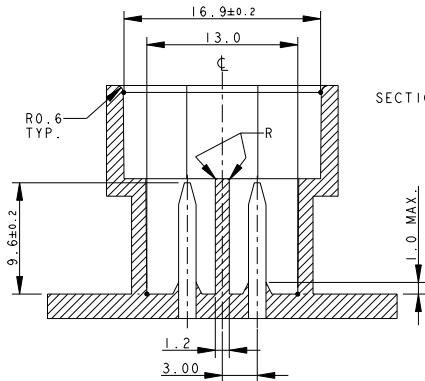
LOC	DIST	REVISIONS			
P	LTR	DESCRIPTION	DATE	DWN	APVD
-	-	SEE SHEET 1	-	-	-

### SECTION A - A

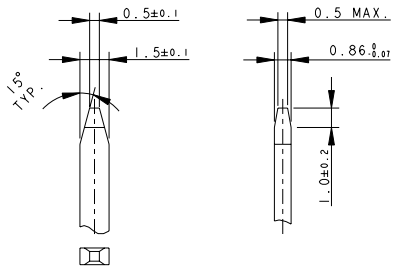
### COUNTERPART DETAILS



### SECTION C - C



### TAB DETAILS



MATERIALS: PA66-GF FOR HOUSING  
TIN PLATED BRASS FOR TABS

THIS DRAWING IS A CONTROLLED DOCUMENT.		OWN 05-1992 C. BERTINI	STE TE Connectivity	
DIMENSIONS: mm		CHK A BRUNI 05-1992	AMP SUPERSEAL 1.5 SRS. 2 POSITIONS PLUG ASS'Y	
TOLERANCES UNLESS OTHERWISE SPECIFIED:		APVD -	SIZE A3	RESTRICTED TO -
0 PLC ±0.3	1 PLC ±0.1	PRODUCT SPEC -	CAGE CODE	DRAWING NO
2 PLC ±0.05	3 PLC ±	APPLICATION SPEC -	A300779	C-282080
4 PLC ±	ANGLES ±2°	WEIGHT -	SCALE 3:1	SHEET 2 OF 2
MATERIAL	FINISH	CUSTOMER DRAWING	REV C6	

1470-19 (3/11)