

4

3

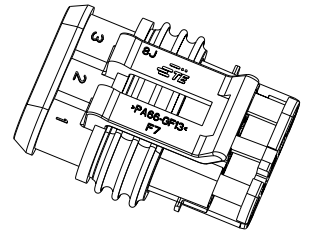
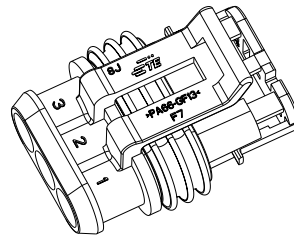
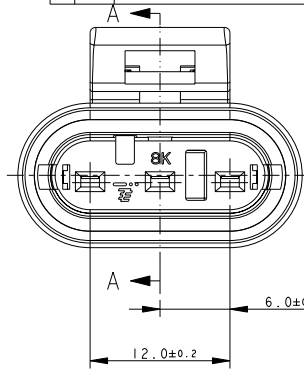
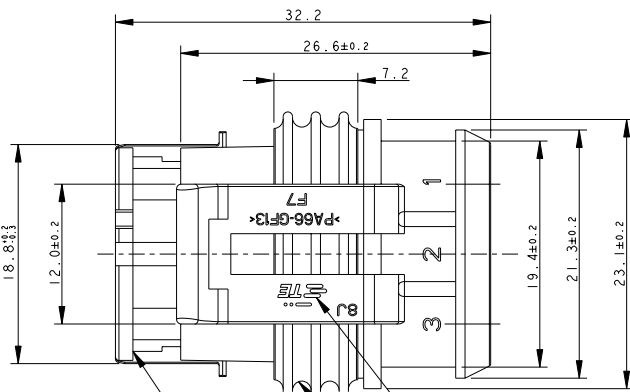
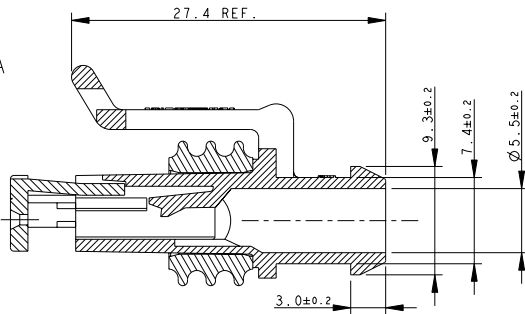
2

1

THIS DRAWING IS UNPUBLISHED. RELEASED FOR PUBLICATION 2011
 © COPYRIGHT 2011 ALL RIGHTS RESERVED.

LOC	DIST	REVISIONS				
P	LTR	DESCRIPTION	DATE	DWN	APVD	
B4		REVISED PER ECO-11-005033	02APR2011	RK	HMR	
B5		REVISED BY ECR-11-024280	13DEC2011	M.F.	M.G.	

SECTION A - A



1) FOR COUNTERPART DETAILS, SEE SHEET 2 OF 2

GRAY	PA66-GF	282087-2
BLACK	PA66-GF	282087-1
FINISH/COLOR	MATERIAL	PART NUMBER

TE CONNECTIVITY TRADE MARK
 (IN ALTERNATIVE: "AMP" LOGO OR "Tyco Electronics" LOGO)

SEALING (SILICONE RUBBER)

PRE-ASSEMBLED SECONDARY LOCK (RED COLOR)

THIS DRAWING IS A CONTROLLED DOCUMENT.

DIMENSIONS:	TOLERANCES UNLESS OTHERWISE SPECIFIED:
mm	0 PLC ±
	1 PLC ±0.3
	2 PLC ±
	3 PLC ±
	4 PLC ±
	ANGLES ±2°

MATERIAL FINISH

DWN	C. BERTINI	07-1990
CHK	A. BRUNI	07-1990
APVD	-	-
PRODUCT SPEC	108-20090	
APPLICATION SPEC	412-20000	
WEIGHT	3.65gr	

STE TE Connectivity		
AMP SUPERSEAL 1.5 SRS. 3 POSITIONS PLUG ASS'Y		
SIZE	CAGE CODE	DRAWING NO
A3	00779	C-282087
CUSTOMER DRAWING	SCALE	SHEET 1 OF 2
		REV B5

4

3

2

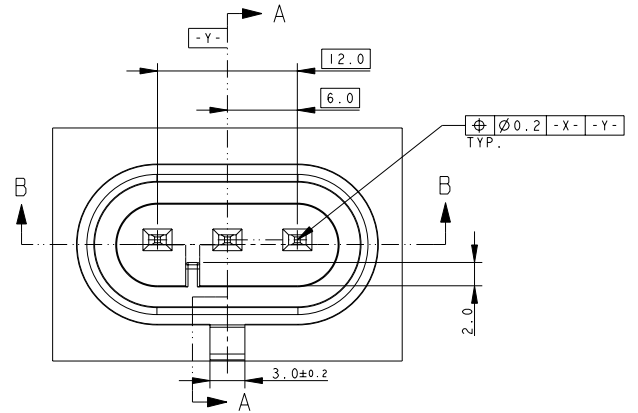
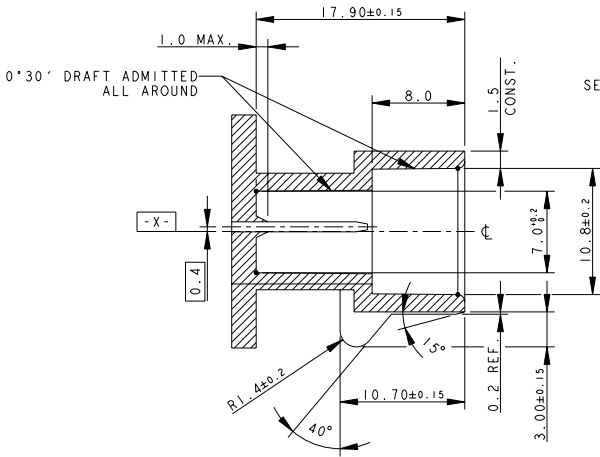
1

THIS DRAWING IS UNPUBLISHED. RELEASED FOR PUBLICATION 2011
 © COPYRIGHT 2011 ALL RIGHTS RESERVED.

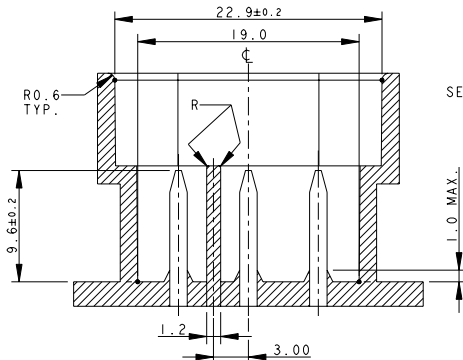
LOC	DIST	REVISIONS			
P	LTR	DESCRIPTION	DATE	DWN	APVD
		SEE SHEET 1			

COUNTERPART DETAILS

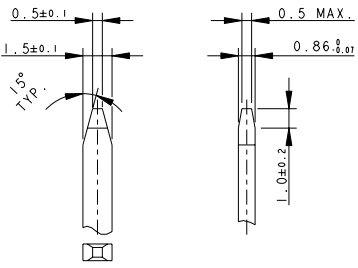
SECTION A - A



SECTION B - B



TAB DETAILS



MATERIALS: PA66-GF FOR HOUSING
 TIN PLATED BRASS FOR TABS

THIS DRAWING IS A CONTROLLED DOCUMENT.

OWN 05-1992
 C. BERTINI
 CHK A. BRUNI
 05-1992

STE TE Connectivity

DIMENSIONS:	TOLERANCES UNLESS OTHERWISE SPECIFIED:
mm	0 PLC ±0.3
	1 PLC ±0.1
	2 PLC ±0.05
	3 PLC ±
	4 PLC ±
MATERIAL	FINISH ±2°

PRODUCT SPEC	NAME
APPLICATION SPEC	SIZE
WEIGHT	CAGE CODE
CUSTOMER DRAWING	DRAWING NO

AMP SUPERSEAL 1.5 SRS. 3 POSITIONS PLUG ASS'Y		RESTRICTED TO
A300779	C-282087	-
SCALE 3:1	SHEET 2 OF 2	REV B5