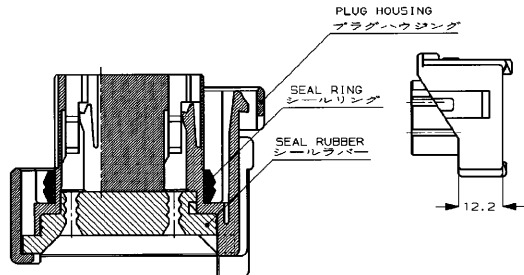
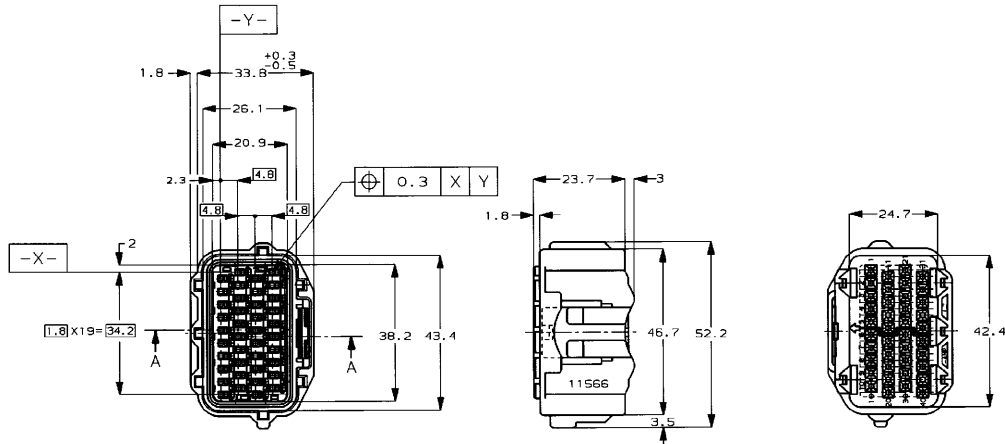


NUMBER 177504
METRIC
3-D INSIDE PROJECTION



SECTION A-A
断面 A-A
SCALE: 2/1

- 1 MATING CAP HOUSING P/N:1-177503-9
 - 2 DOUBLE LOCK PLATE P/N:178413
RECEPTACLE CONTACT P/N: 175197-2
 - 3 PRODUCT SPEC NO; 108-5365
INSTRUCTION SHEET NO; 412-5633
- 1 嵌合相手ハウジング型番: 1-177503-9
 - 2 二重ロックプレート型番; 178413
リセプタクルコンタクト型番: 175197-2
 - 3 製品規格番号; 108-5365
取扱説明書番号; 412-5633

LIGHT GRAY	6-177504-6
COLOR	PART NO

Copyright ©1993 AMP (Japan), LTD. ALL RIGHTS RESERVED.		Copyright ©1993 AMP (Japan), LTD. ALL RIGHTS RESERVED.		AMP Tokyo, Japan	
REVISED FJ00-0009-99 HY NS 06 JAN 99		REVISED FJ00-0712-94 HK KA 7/12/93		REVISED FJ00-0271-93 HY KA 7/13/93	
LTR REVISION RECORD DR CHK DATE		CHK: N. Yamagami 7/13/93		CHK: K. Boku 7/13/93	
MATERIAL: PBT		MATERIAL: PBT		MATERIAL: PBT	
40POS. PLUG HOUSING .04011 SRS. SEALD PAIR MATE CONN.(A-TYPE)		40極 プラグハウジング(A-タイプ)		.04011シリーズ 防水型ペアメイトコネクタ	
GENERAL TOLERANCE		LOG		177504	
0<= 10 : ±0.2		B J		尺貫(SCALE)	
10<= 30 : ±0.25		REV. B		SHEET 1 OF 1	
30<= 100 : ±0.3		1-1			
100<= : ±0.5					
ANGLE : ±3°					

PRINT LIST
DIMENSIONS IN MILLIMETERS. DO NOT SCALE PRINT