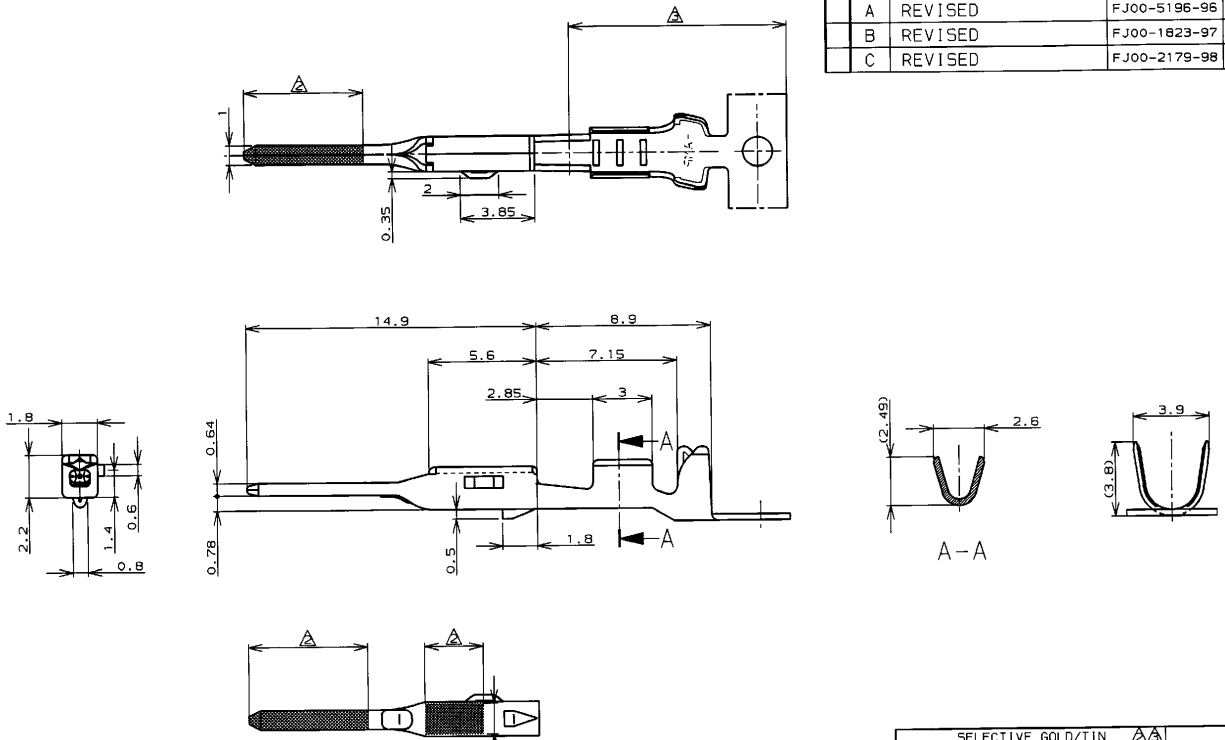


REVISIONS						
P	LYR	DESCRIPTION	ECN	DATE	DWN	APVD
0		DRAWN	FJ00-4529-96	4/24'96	HY	NS
A		REVISED	FJ00-5196-96	9/17'96	SO	KO
B		REVISED	FJ00-1823-97	08DEC97	HY	NS
C		REVISED	FJ00-2179-98	26JAN99	HY	NS



注記;
 1. 適用電線: AVSS, CAVS 0.3-0.5mm²
 △ 金のつき範囲 (-2のみ).
 △ さずめつき範囲 (-2のみ).

NOTES;
 1. APPLICABLE WIRE RANGE ;
 AVSS, CAVS 0.3-0.5mm²
 △ GOLD PLATING AREA (-2 ONLY)
 △ TIN PLATING AREA (-2 ONLY)

SELECTIVE GOLD/TIN (部分金のつき/すずめつき)	316834-2
PRE-TINNED (すずめつき)	316834-1
FINISH (仕上)	PART NUMBER (型番)

THIS DRAWING IS A CONTROLLED DOCUMENT FOR AMP INCORPORATED. IT IS SUBJECT TO CHANGE AND THE CONTROLLING ENGINEERING ORGANIZATION SHOULD BE CONTACTED FOR THE LATEST REVISION.		DWN H. YAMAGAMI 4/24'96	AMP 日本エレクトロニクス株式会社 Kawasaki, Japan	
DIMENSIONS: 単位: ㎜		CHK T. KOHNO 4/25'96	PRODUCT SPEC N. SAI	
TOLERANCES UNLESS OTHERWISE SPECIFIED		APVD 4/25'96	APPLICATION SPEC 114-5227	
MATERIAL BRASS 黄銅		WEIGHT 0.34g	SIZE A3	CAGE CODE 00779
FINISH SEE TABLE 表参照		DRAWING NO. 316834		SCALE 5-1
CUSTOMER DRAWING		SHEET 1		REV C