

4

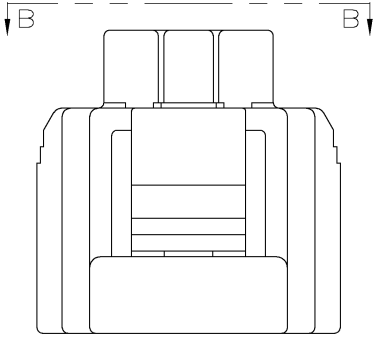
3

2

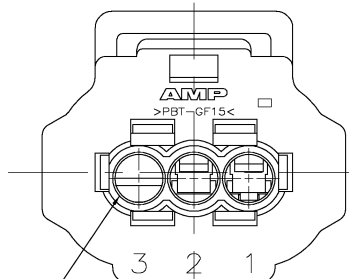
1

THIS DRAWING IS UNPUBLISHED. RELEASED FOR PUBLICATION
 © COPYRIGHT BY TYCO ELECTRONICS CORPORATION. ALL RIGHTS RESERVED.

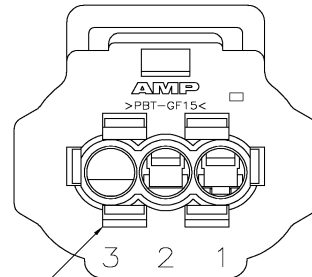
LOC		DIBT		REVISIONS			
F	LR	DESCRIPTION	DATE	OWN	APPD		
GE	00						
		F	REVISED PER EC 0K40-0387-04	19NOV2004	DLD	KLK	



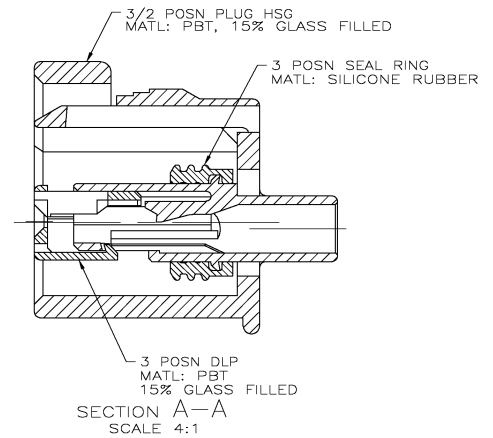
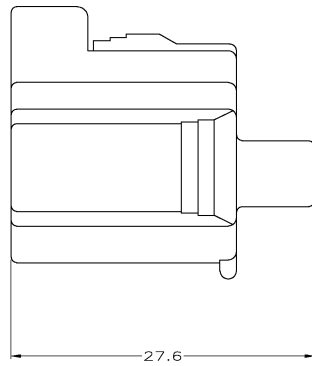
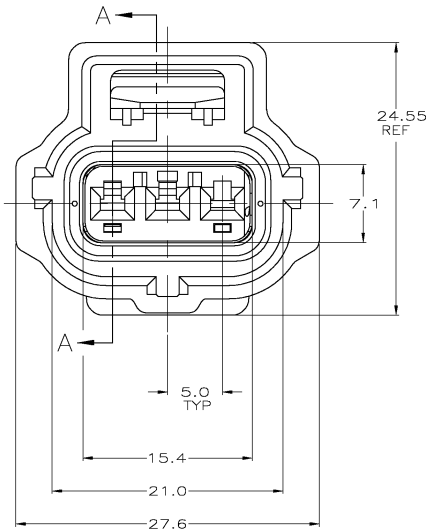
BLOCKED CIRCUIT



VIEW B-B



OPTIONAL CORING
2 PLACES



184311-1
PART NUMBER

THIS DRAWING IS A CONTROLLED DOCUMENT.		DRW K. WISE 04FE998	tyco Electronics	Tyco Electronics Corporation Harrisburg, PA 17105-3608
DIMENSIONS:		CHK F. OSWANDEL 24FE998	APD F. OSWANDEL 24FE998	NAME
MATERIAL		FINISH	APPLICATION SPEC:	SIZE CASE CODE DRAWING NO: A2 00779 C=184311
CUSTOMER DRAWING		SCALE 4:1	SHEET 1 OF 1	REV F

AMP 1471-9 REV 31MAY2000

184311

B

A