

4

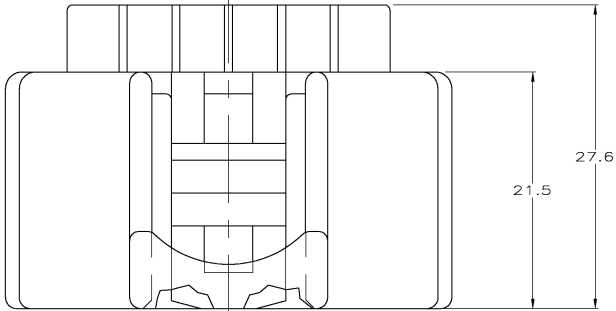
3

2

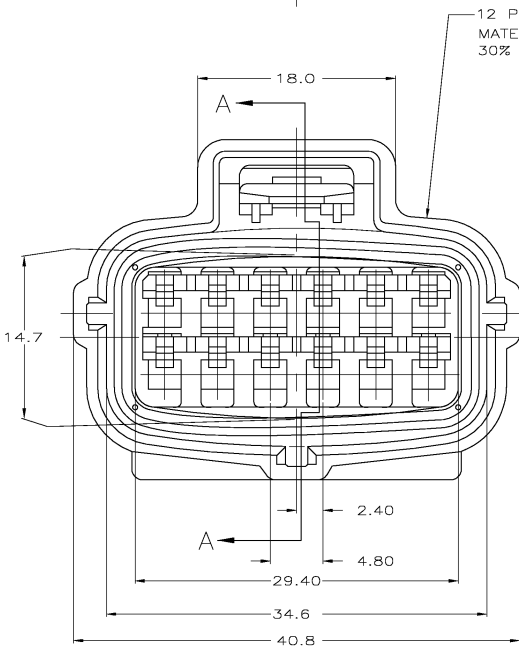
1

THIS DRAWING IS UNPUBLISHED. RELEASED FOR PUBLICATION. BY TYCO ELECTRONICS CORPORATION. ALL RIGHTS RESERVED.

LOC		DIST		REVISIONS			
GE	00	P	LTR	DESCRIPTION	DATE	OWN	APP'D
		G		REV PER EC DK40-044B-03	25JUN03	AH	KLC

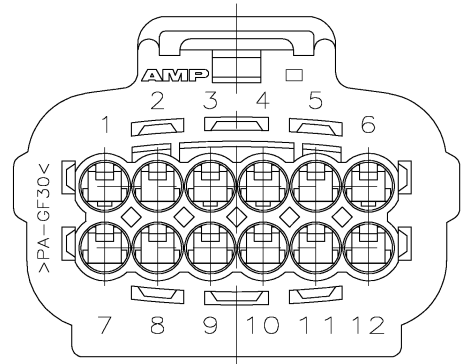
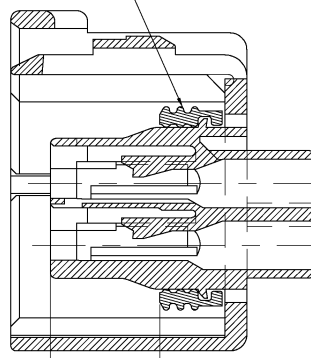


SECONDARY LOCK PLATE, P/N 184058-1, REQUIRED AS A SEPARATE COMPONENT.



12 POSITION PLUG MATERIAL: 4/6 NYLON 30% GLASS FILLED

SEAL RING MATERIAL: SILICONE RUBBER



THIS DRAWING IS A CONTROLLED DOCUMENT.		DRW	KD	LYTLE	5/15/99	BLACK	184115-1
		CHK	KL	LYTLE	5/30/99	PLUG COLOR	PART NUMBER
		APP'D	CI	HYERD	5/30/99	Tyco Electronics Corporation Harrisburg, PA 17105-3608	
		PRODUCT SPEC	CT	HYERD		12 POSITION PLUG ASSY.	
		APPLICATION SPEC	WEIGHT			SEE	CAGE CODE
		FINISH				A2	00779
						184115	
						SCALE	4:1
						SHEET	1 OF 1
						REV	G

AMP 1431-9 REV 31 MAR 2000

H:\DMTEG_files

184115

A