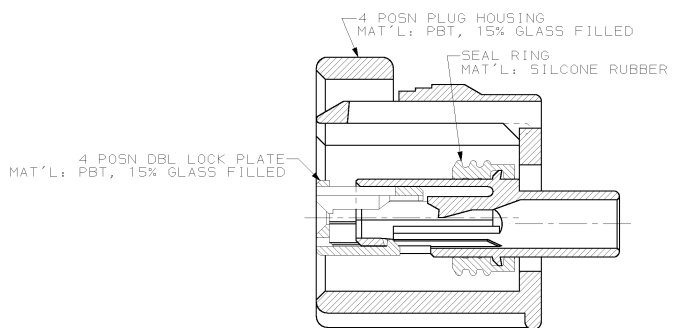
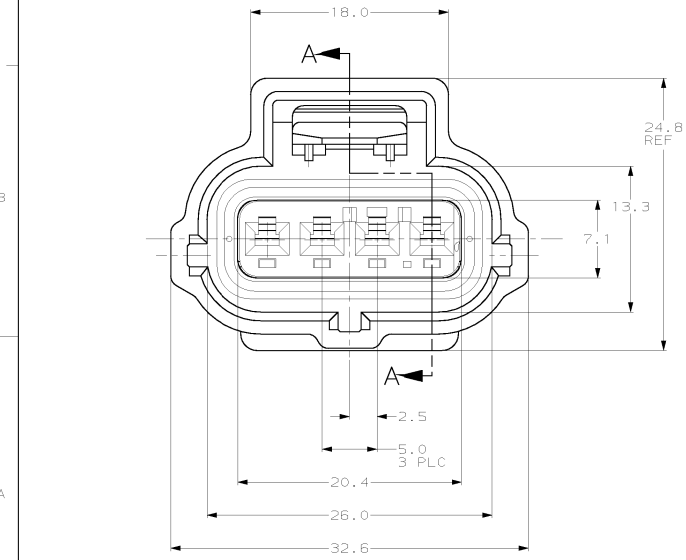
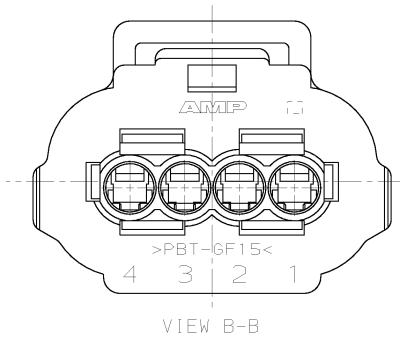
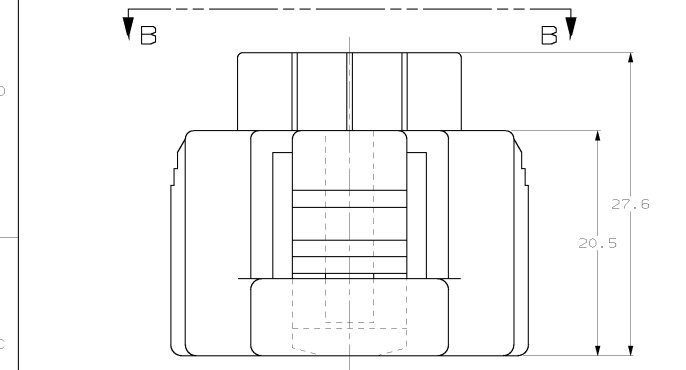


THIS DRAWING IS UNPUBLISHED. RELEASED FOR PUBLICATION
 (C) COPYRIGHT 19 BY AMP INCORPORATED. ALL RIGHTS RESERVED.

REVISIONS				
REV	DATE	DESCRIPTION	BY	APP'D
0	10/31/94	RELEASED, WAS 92-4072-2329-1	KW	-
A	3/21/95	REV/ECN 0720-0543-95	KL	-
B	10/09/95	REV ECN 0720-0768-95	KL	JK
C	6-28-00	REV PER EC# 0K40-0138-00	PC	GI



SECTION A-A

184046-1
 PART NUMBER

DIMENSIONS UNLESS OTHERWISE SPECIFIED, DIMENSIONS ARE IN MILLIMETERS.		DATE: 10/31/94 BY: K WISE CHECKED: J HYBR DRAWN: J HYBR	AMP Incorporated Harrisburg, PA 17105-3608
PRODUCT SPEC: - APPLICATION SPEC: - WEIGHT: - MATERIAL: -	DIMENSIONS UNLESS OTHERWISE SPECIFIED: D: 0.15 F: 0.15 G: 0.15 H: 0.15 I: 0.15 J: 0.15 K: 0.15 L: 0.15 M: 0.15 N: 0.15 O: 0.15 P: 0.15 Q: 0.15 R: 0.15 S: 0.15 T: 0.15 U: 0.15 V: 0.15 W: 0.15 X: 0.15 Y: 0.15 Z: 0.15 ANGLES: ±1° FINISH: -	SIZE: 1 X 4 PLG ASY KEY A-C3 DATE CODE: A2 00779 DRAWING NO: 184046	CUSTOMER DRAWING SCALE: 4:1 SHEET: 1 OF 1 REV: C

AMP 1471-9 REV 10/93
 12 OCT 1995 09:53:33 AMP247644J51284+DEPT1135+U, SENGOR+U, 4POSN+U, ASSY+U, 0J5F+U, CURR