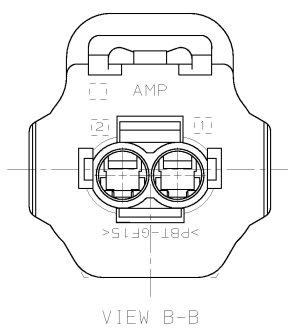
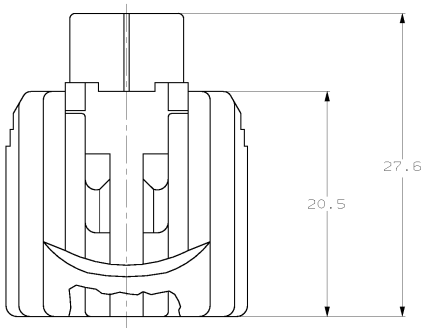
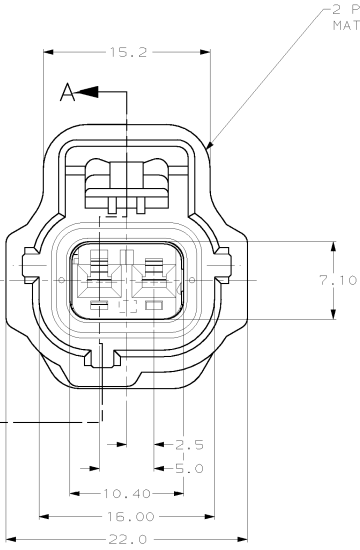


THIS DRAWING IS UNPUBLISHED. RELEASED FOR PUBLICATION
 (C) COPYRIGHT 19 BY AMP INCORPORATED. ALL RIGHTS RESERVED.

REVISIONS			
REV	DATE	BY	APP'D
0	RELEASED, WAS 92-4072-2313-11	-	-
A	REV PER ECN 0720-0290-94 AND ECN 0720-0430-94	10/19/94	KDL JPK
B	REV PER ECN 0720-0446-94	12/16/94	KW JK
C	REV PER ECN 0K50-0003-95	08/13/96	KW JK
D	REV PER EC# 0K40-0140-00	7-10-00	PC G1

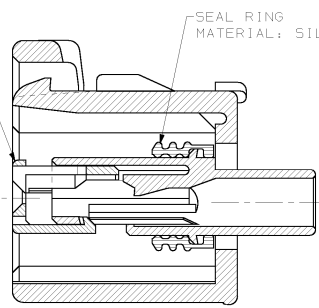


VIEW B-B



2 POSN PLUG MATERIAL: PBT, 15% GLASS FILLED

2 POSN. DOUBLE LOCK PLATE MATERIAL: PBT, 15% GLASS FILLED



SECTION A-A

KEYING TYPE L

NATURAL		184020-1	
PLUG COLOR		PART NO	
AMP		AMP Incorporated Harrisburg, PA 17105-3608	
1 X 2 PLG ASY KEY L-C3			
SIZE	DATE CODE	MARKING	REV
A2	00779	©=184020	1
CUSTOMER DRAWING		SCALE	SHEET
		4:1	11

AMP 1471-9 REV 10/93
 14 AUG 1996 10:16:29 AMP330644J51284-OEPT1135-U, SENGOR-U, 2POSN-U, ASSY-U, OUST-U, REV