

4

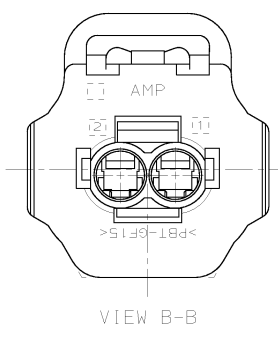
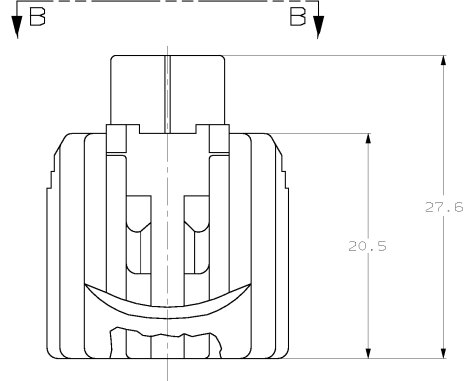
3

2

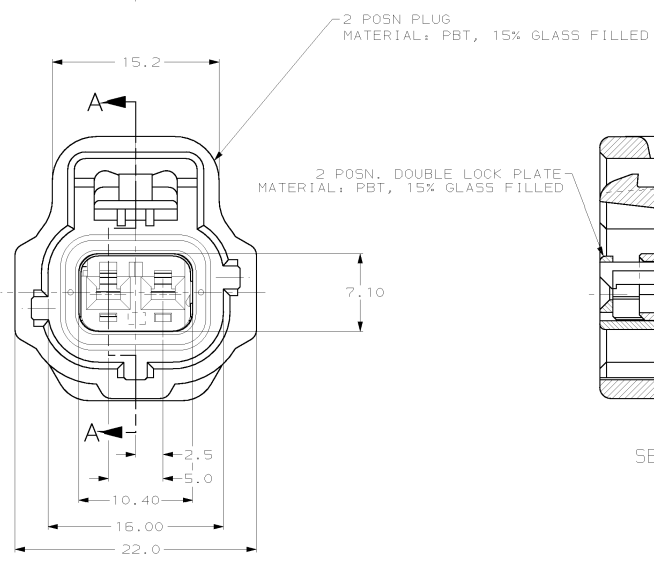
1

THIS DRAWING IS UNPUBLISHED. RELEASED FOR PUBLICATION. (C) COPYRIGHT 19 BY AMP INCORPORATED. ALL RIGHTS RESERVED.

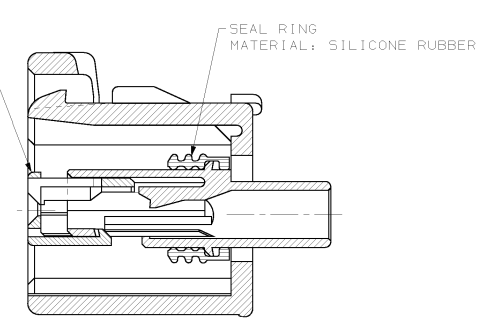
REVOLUTIONS		DATE	BY	APP'D
0	RELEASED, WAS 92-4072-2313-4	-	-	-
A	REV PER ECN 0720-0290-94	10/6/94	KL	JPK
B	REV PER ECN 0720-0446-94	12/16/94	KW	JK
C	REV PER ECN 0720-0702-95	8/9/95	KL	JK
D	REV PER ECN 0K50-0003-95	08/13/95	KW	JK
E	REV PER EC# 0K40-0140-00	7-10-00	PC	GI



VIEW B-B



KEYING TYPE D



SECTION A-A

GRAY	184006-2
GREEN	184006-1
PLUG COLOR	PART NO
AMP AMP Incorporated Harrisburg, PA 17105-3608	
1 X 2 PLG ASY KEY D-C3	
SIZE	DATE CODE
A2	00779
©=184006	
SHEET	REV
4	1

NOT REPAIR OR REWORK UNLESS SPECIFICALLY AUTHORIZED BY AMP INCORPORATED.		DATE	3/23/94
DIMENSIONS		DESIGNER	LD LITTLE
TOLERANCES UNLESS OTHERWISE SPECIFIED:		DATE	4/10/94
Ø	±.005	PRODUCT SPEC	-
F	±.010	APPLICATION SPEC	-
H	±.015	WEIGHT	-
M	±.020	CUSTOMER DRAWING	-
ANGLES	±1°		
FILERS	-		

AMP 1471-9 REV 10/93
14 AUG 1996 09:55:02 AMP33064J51284-0EPT1135-U, SENSOR-U, 2POSN-U, ASSY-U, DUST-U, REV

184006
B

A