

4

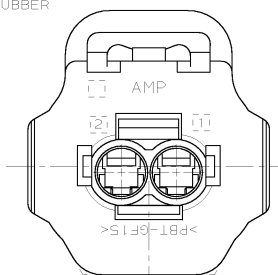
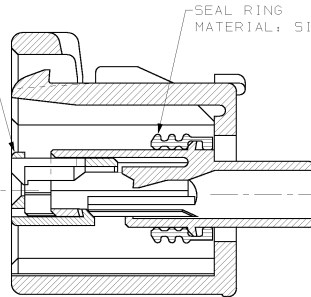
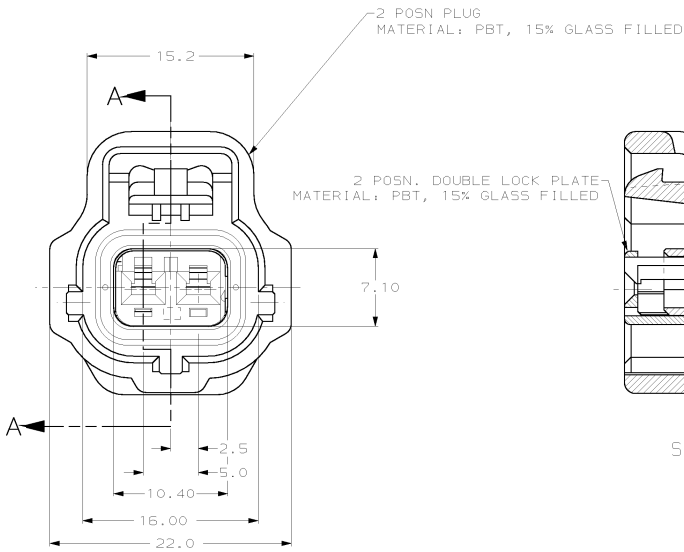
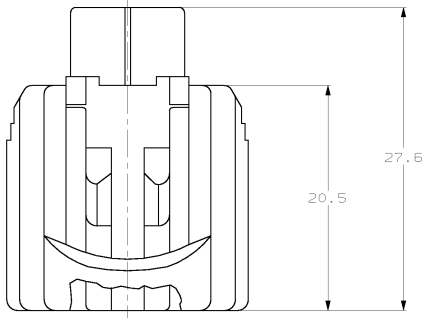
3

2

1

THIS DRAWING IS UNPUBLISHED. RELEASED FOR PUBLICATION
 (C) COPYRIGHT IS BY AMP INCORPORATED. ALL RIGHTS RESERVED.

| REV. NO. | | REVISIONS | | | |
|----------|-----|------------------------------|----------|----|--------|
| REV. | NO. | DESCRIPTION | DATE | BY | APP'D. |
| G | 16 | | | | |
| O | | RELEASED, WAS 92-4072-2313-2 | - | - | - |
| A | | REV PER ECN 0720-0290-94 | 10/3/94 | KL | JPK |
| B | | REV PER ECN 0720-0446-94 | 12/16/94 | KW | JK |
| C | | REV PER ECN 0K50-0003-96 | 08/13/96 | KW | JK |
| D | | REV PER EC# 0K40-0140-00 | 6-28-00 | PC | GT |



KEYING TYPE B

| | | | |
|--|---------|-------------------|----------|
| GRAY PLUG COLOR | | 184002-1 PART NO. | |
| AMP Incorporated Harrisburg, PA 17105-3608 | | AMP | |
| 1 X 2 PLG ASY KEY B-C3 | | AMP | |
| DATE | 3/23/94 | DATE | 4/19/94 |
| BY | KUNLE | BY | KUNLE |
| PRODUCT SPEC | | APPLICATION SPEC | |
| WEIGHT | | SIZE | A2 00779 |
| CUSTOMER DRAWING | | DATE | 184002 |
| | | SHEET | 1 OF 1 |
| | | REV | D |

AMP 1471-9 REV 10/93
 14 AUG 1996 09:52:17 AMP330644J51284+DEPT1135+U, SENGOR+U, 2POSN+U, ASSY+U, DUST+U, REV

184002

A