

4

3

2

1

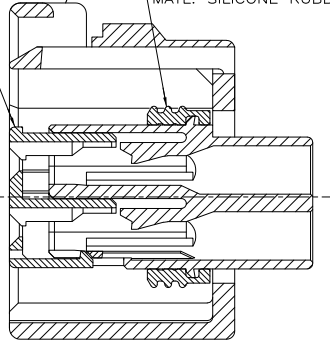
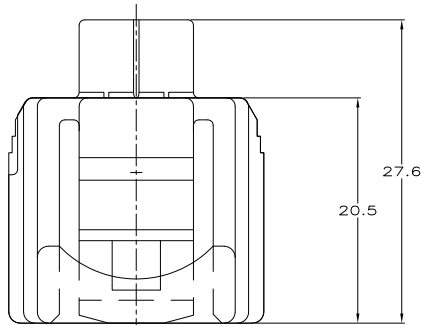
THIS DRAWING IS UNPUBLISHED. RELEASED FOR PUBLICATION
 © COPYRIGHT BY TYCO ELECTRONICS CORPORATION. ALL RIGHTS RESERVED.

LOC		DIST		REVISIONS			
GE	00	F	LTR	DESCRIPTION	DATE	OWN	APP'D
		E		REVISED PER ECO-09-008507	09APR2009	DD	MB

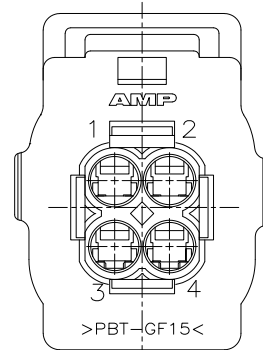
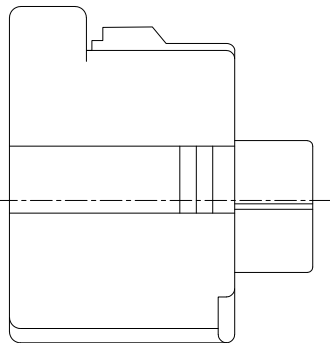
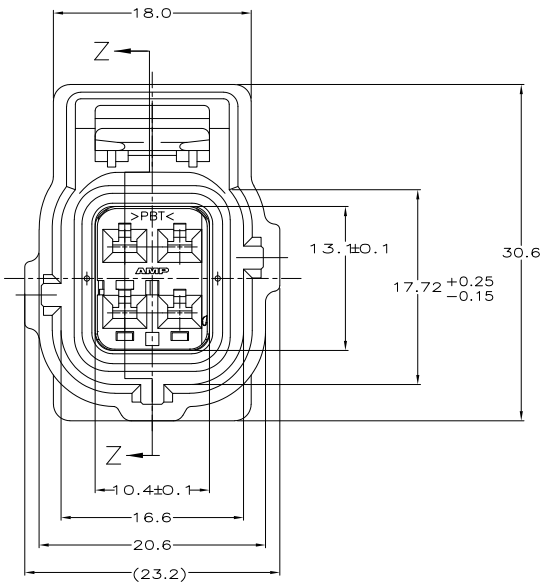
DBL LOCK PLATE
 MAT'L: PBT, 15%
 GLASS FILLED

PLUG HOUSING
 MAT'L: PBT, 15% GLASS FILLED

SEAL RING
 MAT'L: SILICONE RUBBER



SECTION Z-Z
 SCALE 4:1



GRAY	184393-2
BLACK	184393-1
PLUG COLOR	PART NUMBER

THIS DRAWING IS A CONTROLLED DOCUMENT.		DRN	16MAY01	TYCO	Tyco Electronics Corporation
DIMENSIONS:		CHK	16MAY01	Harrisburg, PA 17105-3608	
MM	TO TOLERANCES UNLESS OTHERWISE SPECIFIED.	APP'D	16MAY01	2 X 2 PLG ASY KEY B-C3	
0 PLC	± .1	PRODUCT SPEC		SIZE	CAGE CODE DRAWING NO
1 PLC	± 0.3	APPLICATION SPEC		A2	00779C=184393
2 PLC	± 0.15	WEIGHT		RESTRICTED TO	
3 PLC	± .1	FINISH		CUSTOMER DRAWING	
4 PLC	± .1			SCALE	4:1
ANGLES	± .1			SHEET	1 OF 1
				REV	E

AMP 1471-9 REV 31MM2000

184393

A