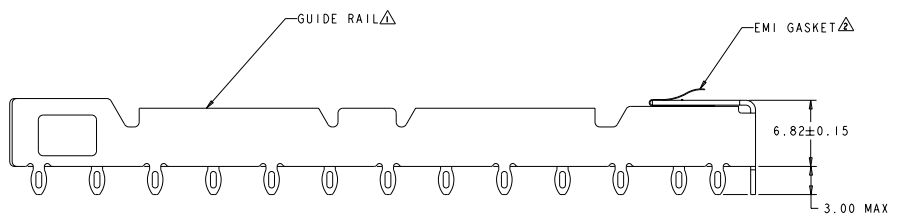
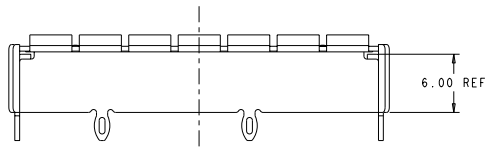
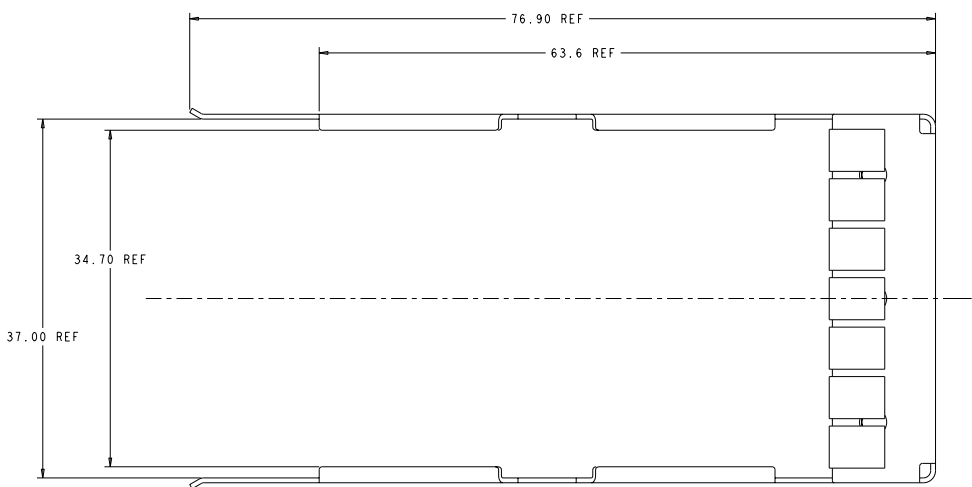


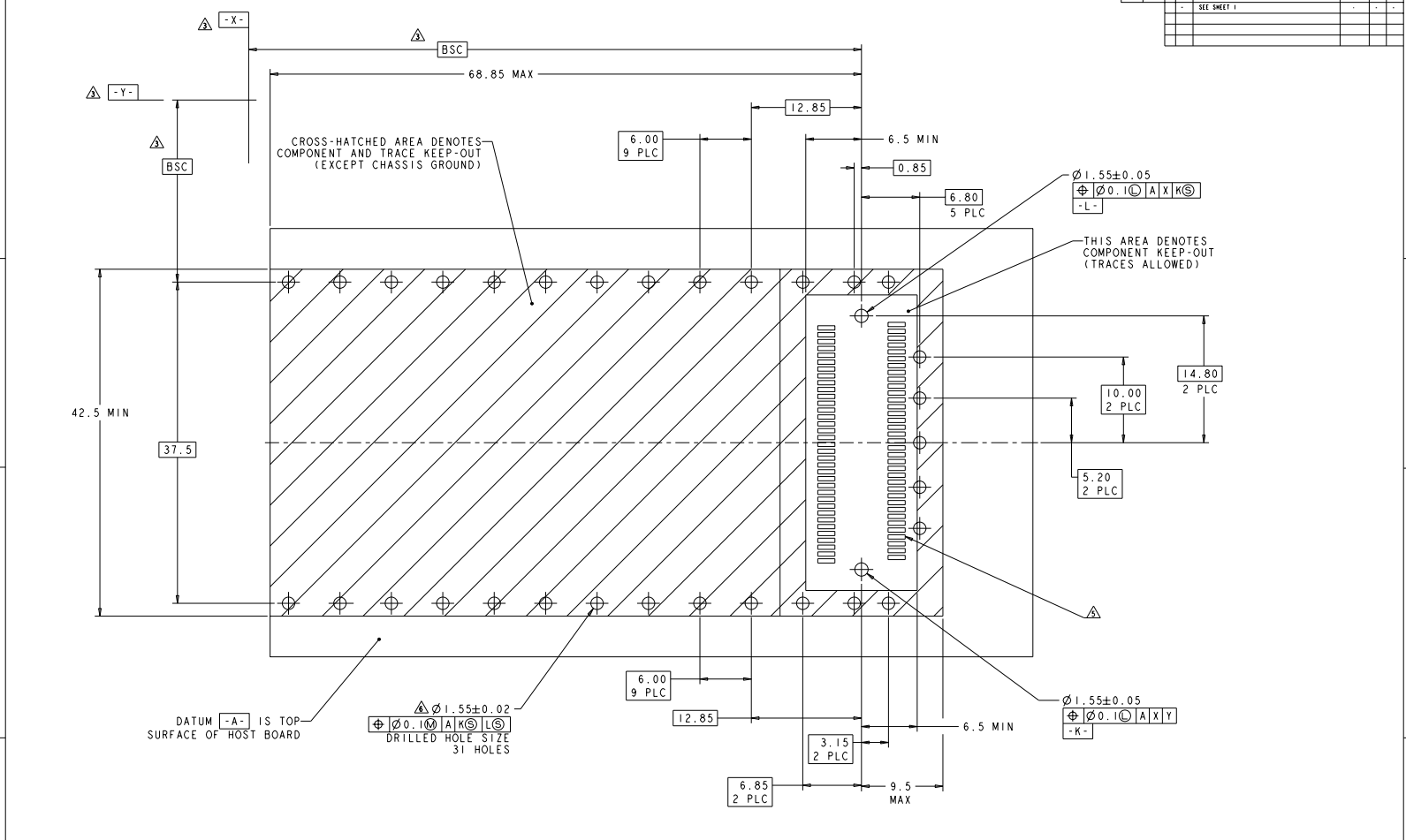
REV	DATE	DESCRIPTION	BY	CHK	APP
5		Ø1.55±0.02 WAS Ø1.45±0.02			
A		RELEASED PER ECO-07-001690			

- △ GUIDE RAIL MATERIAL: COPPER ALLOY
GUIDE RAIL FINISH: 0.4 MICROMETERS MIN THK TIN COATING
- △ EMI GASKET MATERIAL: COPPER ALLOY
EMI GASKET PLATING: 2 MICROMETERS MIN THK TIN PLATE
- △ DATUMS X AND Y AND BSC DIMENSIONS TO BE ESTABLISHED BY CUSTOMER
- 4. DESIGN ACCEPTS MODULES THAT ARE COMPLIANT WITH X2 SPECIFICATION REV 2.0b
- △ SEE CUSTOMER DRAWING 1367337-1 FOR CONNECTOR PAD DIMENSIONS
- △ RECOMMENDATION FOR P.C. BOARD HOLES:
COPPER UNDERPLATE, 25-50 MICROMETERS THICK, FOLLOWED BY ANY OF THESE SURFACE FINISHES:
 - A. HASL SnPb: 35 MICROMETERS MAX THK
 - B. GALVANIC Au: 4-5 MICROMETERS Ni + 0.1-0.5 MICROMETERS Au
 - C. OSP: 0.2-0.5 MICROMETERS THK
 - D. IMMERSION Sn: 0.5 MICROMETERS MIN THK
 - E. IMMERSION Au: 4-5 MICROMETERS Ni + 0.1-0.5 MICROMETERS Au
 - F. IMMERSION Ag: 0.1-0.3 MICROMETERS
- 7. BARE EDGES PERMITTED
- 8. 3.0 MIN PRINTED CIRCUIT BOARD THICKNESS FOR BELLY TO BELLY APPLICATION
- 9. BEZEL REQUIREMENTS PER X2 MSA
- 10. REFERENCE INSTRUCTION SHEET 408-8997 FOR ADDITIONAL INSTRUCTIONS.



1367608-1
PART NUMBER

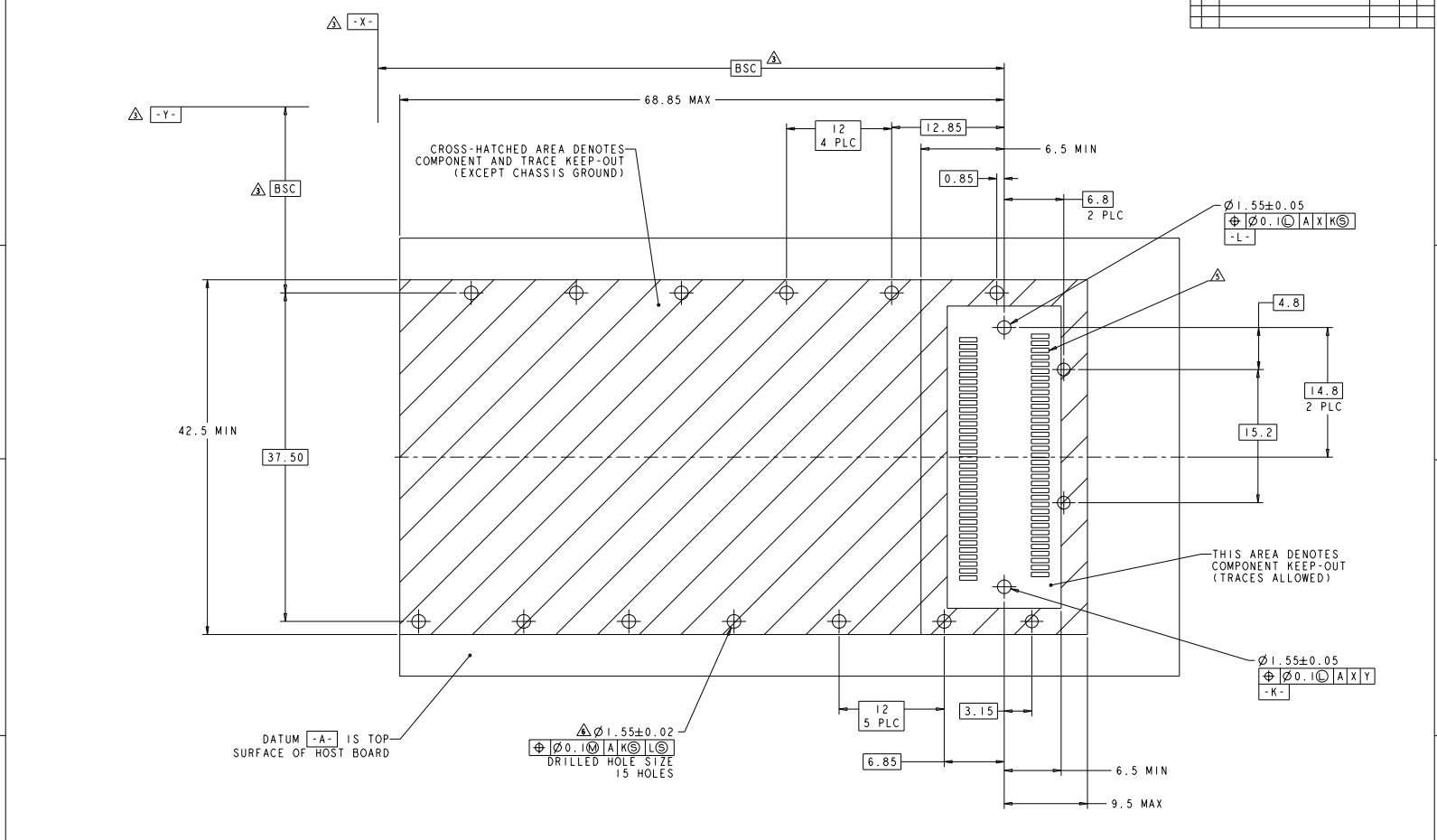
DATE: 07/15/04 BY: [Signature] CHECKED: [Signature]		TITLE: RAIL ASSY, GUIDE, 1/2 BELLY TO BELLY	
PROJECT: [Blank]		STATE: PA CASE CODE: 00778	
PART NUMBER: 1367608-1		DRAWING NO: 1367608	
CUSTOMER DRAWING		SHEET: 5 OF 5	



RECOMMENDED P.C. BOARD LAYOUT FOR BELLY TO BELLY X2

SHEET NO. 00 DATE 00/00/00 DRAWN BY CHECKED BY APPROVED BY	TITLE RAIL ASSY. GUIDE #2 BELLY TO BELLY PROJECT NO. 00778 CUSTOMER DRAWING	PART NO. 1367608 REV. 1 DATE 00/00/00 DRAWN BY CHECKED BY APPROVED BY	SHEET 2 OF 3 REV. A
--	---	--	------------------------

REV	DATE	DESCRIPTION	BY	CHK	APP
00		SEE SHEET 1			



**RECOMMENDED P.C. BOARD LAYOUT
FOR SINGLE SIDE MOUNTED X2**

TITLE: RAIL ASSY. GUIDE, X2 BELLY TO BELLY PROJECT: RAIL ASSY. GUIDE, X2 BELLY TO BELLY DATE: 00779 ©-1367608 CUSTOMER: CUSTOMER DRAWING	PART: 20032004 REV: BELLET 20032004 PROJECT: RAIL ASSY. GUIDE, X2 BELLY TO BELLY DATE: 00779 ©-1367608 CUSTOMER: CUSTOMER DRAWING	TYPH ELECTRONICS Harrisburg, PA 17105-3600 RAIL ASSY. GUIDE, X2 BELLY TO BELLY DATE: 00779 ©-1367608 CUSTOMER: CUSTOMER DRAWING
---	---	---