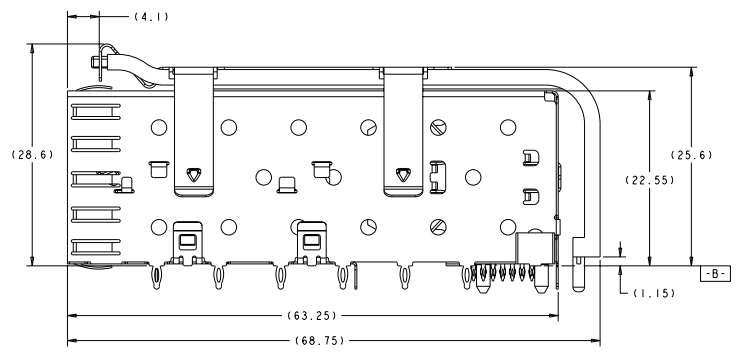
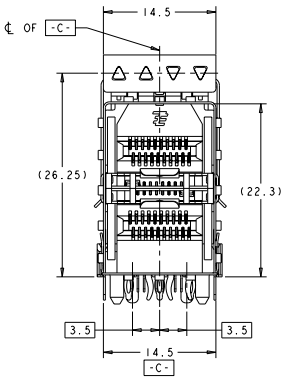
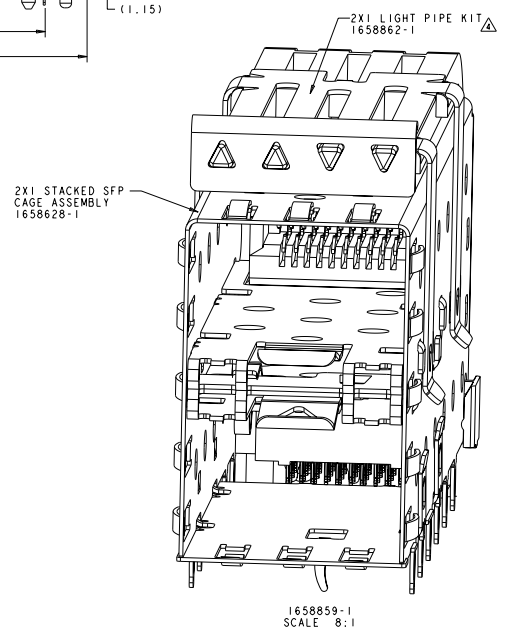
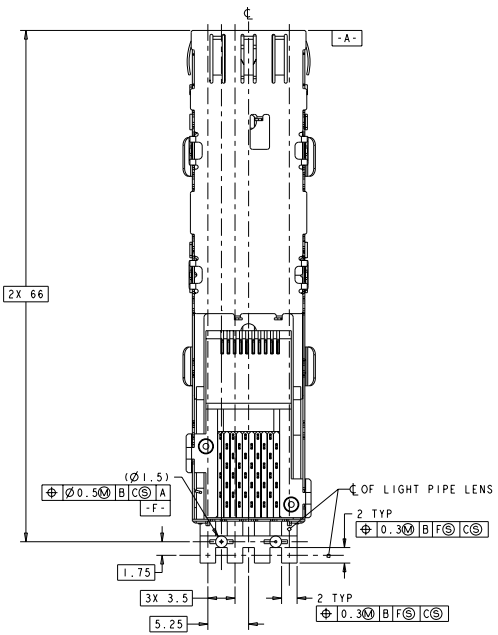


REV	DATE	DESCRIPTION	BY	CHECKED	DATE
ES	00				
C		REVISED PER ECR-07-018402	YANGCHANG	SL	5/1
CI		REVISED ECR-08-013764	YANGCHANG	AZ	5/1
D		REVISED PER ECR-10-023688	ZHANGYUAN	JT	5/1

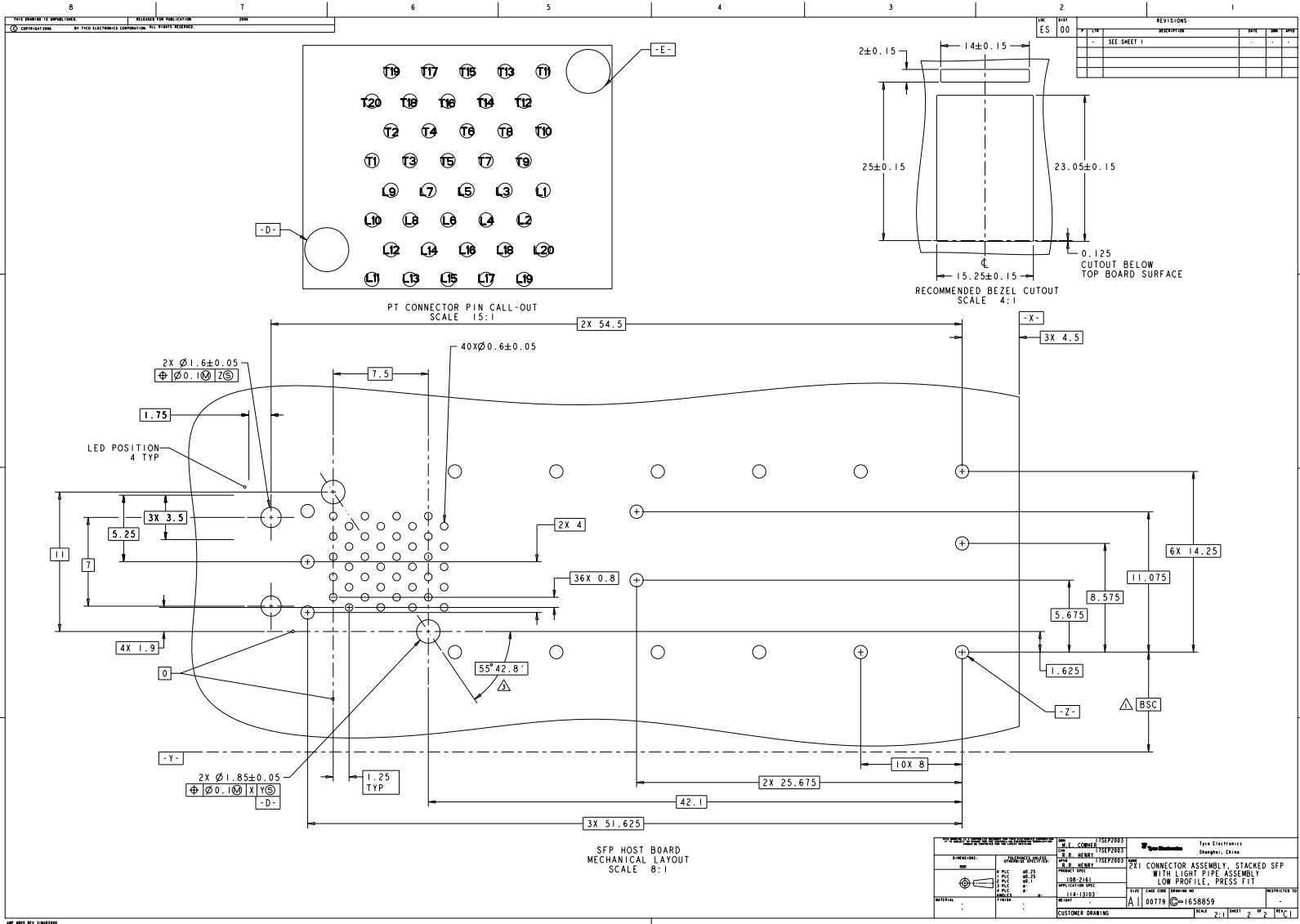


- △ DATUM AND BASIC DIMENSION TO BE DETERMINED BY CUSTOMER
- △ DATUM C APPLIES OVER ENTIRE DIMENSION
- △ INTERPRETATION OF DATUM REFERENCE FRAME IN ACCORDANCE WITH SECT 4.4.1.1 OF ASME Y14.5M-1994
- △ LIGHT PIPE KIT SUPPLIED SEPARATELY. KIT TO BE ATTACHED AFTER SEATING OF 1658628-1 ON BOARD
- 5. CONNECTOR ASSEMBLY CONSISTS OF LIGHT PIPE ASSEMBLY AND STACKED SFP. SUPPLIED UNASSEMBLED.
- 6. LABEL ON CAGE ASSEMBLY WILL HAVE PART NUMBER 1658628-1.



1658859-1
 SCALE: 8:1
 PART NUMBER

DRAWING INFORMATION		DRAWING NUMBER		DRAWING TITLE	
DATE	2014.07.28	REV	00	REV	00
DESIGNER	YANGCHANG	DATE	2014.07.28	REV	00
CHECKED	YANGCHANG	DATE	2014.07.28	REV	00
APPROVED	YANGCHANG	DATE	2014.07.28	REV	00
CUSTOMER DRAWING		DRAWING NUMBER		DRAWING TITLE	
1658859-1		1658859-1		2X CONNECTOR ASSEMBLY, STACKED SFP WITH LIGHT PIPE ASSEMBLY, LOW PROFILE, PRESS-FIT	
SCALE: 8:1		REV: 00		DRAWN BY: YANGCHANG	
				CHECKED BY: YANGCHANG	
				APPROVED BY: YANGCHANG	



REVISED		REVISIONS			
NO.	DATE	DESCRIPTION	BY	CHK	APP
ES	00	SEE SHEET 1			

SHENZHEN YIP ELECTRONICS 2018 YIP 200002		118 YIP 20003 118 YIP 20003 118 YIP 20003 118 YIP 20003 118 YIP 20003		YIP ELECTRONICS Shanghai, China	
SHEET NO. 118-2181 CONSTRUCTION NO. 118-13103 REVISION A	CUSTOMER DRAWING 00778 ©1658859	2X1 CONNECTOR ASSEMBLY, STACKED SFP WITH LIGHT PIPE ASSEMBLY LOW PROFILE, PRESS-FIT			
STATE CHINA		DRAWING NO. 118-13103		SHEET NO. 2 OF 2	