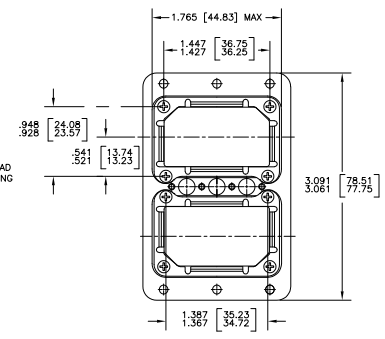
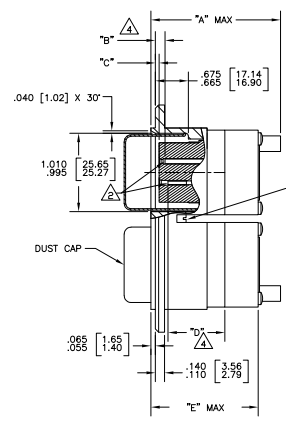
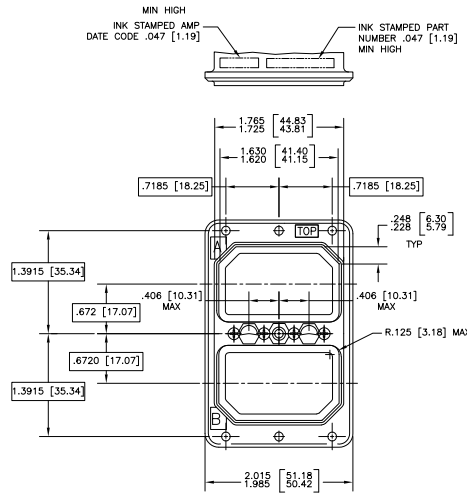


THIS DRAWING IS UNAPPROVED FOR PRODUCTION
 © 2018 TYS ELECTRONICS CORPORATION. ALL RIGHTS RESERVED.

REV	DF	APP	DATE	DESCRIPTION
1	DF	AS		
2	D		REV PER 0114-0209-04	



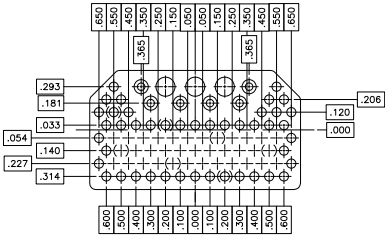
FEMALE JACKSCREW #10-24, DOUBLE LEAD THREAD, SELF-LOCKING

DUST CAP

	C2	C3	8	C8	D8	26	32C2	33C4	40	40C1	45	57	67	88	106
A	1.076	1.076	1.525	1.512	1.525	1.525	1.700	1.700	1.474	1.700	1.525	1.525	1.525	1.598	1.279
MAX	[27.33]	[27.33]	[38.74]	[38.40]	[38.74]	[38.74]	[43.18]	[43.18]	[37.44]	[43.18]	[38.74]	[38.74]	[38.74]	[40.59]	[32.49]
E	1.076	1.076	1.450	1.450	1.450	1.450	1.450	1.450	1.450	1.450	1.450	1.450	1.450	1.233	1.230
MAX	[27.33]	[27.33]	[36.83]	[36.83]	[36.83]	[36.83]	[36.83]	[36.83]	[36.83]	[36.83]	[36.83]	[36.83]	[36.83]	[31.06]	[31.24]

B				*C*				*D*			
22	20	16	12	22	20	16	12	22	20	16	12
.238	.170	.205	.205	.175	.081	.081	.081	.250	.346	.165	.165
[6.04]	[4.32]	[5.21]	[5.21]	[4.45]	[2.06]	[2.06]	[2.06]	[6.35]	[8.79]	[4.19]	[4.19]
[4.88]	[2.92]	[3.71]	[3.71]	[3.48]	[1.22]	[1.22]	[1.22]	[5.21]	[6.12]	[2.64]	[2.64]

- MATERIAL & FINISH**
 SHELL: DIE CAST ALUM. ALLOY PER FED SPEC QQ-A-591
 FINISH: CAD PLATED PER QQ-P-416, TYPE 1, CLASS 2
 YELLOW CHROMATE CONVERSION.
 INSULATOR, HARD: EPOXY PER MIL-M-24325.
 INSULATOR, SOFT: FLUOROSILICONE RUBBER, COLOR: BLUE.
 GROMMET PROTECTOR: ALUM. ALLOY, FINISH: BLUE EPOXY.
 SCREWS AND WASHERS: STAINLESS STEEL, PASSIVATE
 JACKSCREWS: STAINLESS STEEL
 POLARIZING SCREWS: STAINLESS STEEL
 POLARIZING KEYS: ALUMINUM ALLOY
 FINISH: CAD PLATE PER QQ-P-416 TYPE 1,
 CLASS 2, YELLOW CHROMATE CONVERSION
 DUST CAP: CLEAR VINYL.
- CONTACTS SHOWN IN POSITION FOR ILLUSTRATION ONLY, ARE INCLUDED IN A CONTAINER WITHIN CONNECTOR PACKAGE FOR SHIPMENT.
- CONNECTOR MEETS AMP PRODUCT SPEC 108-10,019.
- FOR CONTACT SIZE 22 DIMENSION "B" REPRESENTS PIN CONTACTS & DIMENSION "D" REPRESENTS SOCKET CONTACTS.
- ALL METRIC DIMENSIONS ARE SHOWN IN PARENTHESIS.
- FOR MATING CONNECTOR SEE 211027.



- INDICATES SIZE 22 CAVITIES (79 PLACES)
- ⊙ INDICATES SIZE 20 CAVITIES (6 PLACES)
- INDICATES SIZE 16 CAVITIES (3 PLACES)

PART NO.	ARRANGEMENT	
	MODULE A	MODULE B
211026-1	BSP	8BP

THIS DRAWING IS A CONTROLLED DOCUMENT. TYS ELECTRONICS CORPORATION, Harrisburg, PA 17105-3608

RECEPTACLE CONNECTOR INSTALLATION (WITH CENTER FEMALE JACKSCREW)

CUSTOMER DRAWING

SIZE: A1 00779 ©=211026

SCALE: 1:1