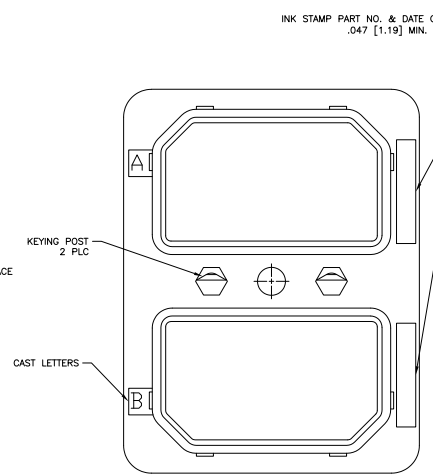
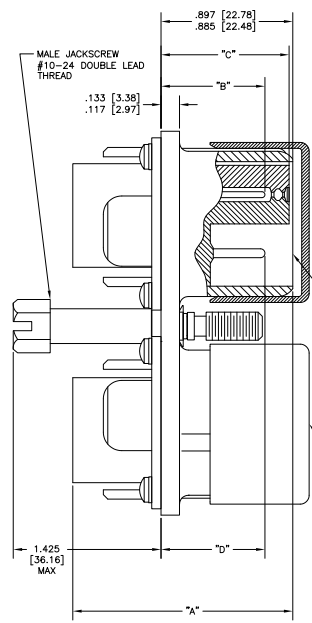
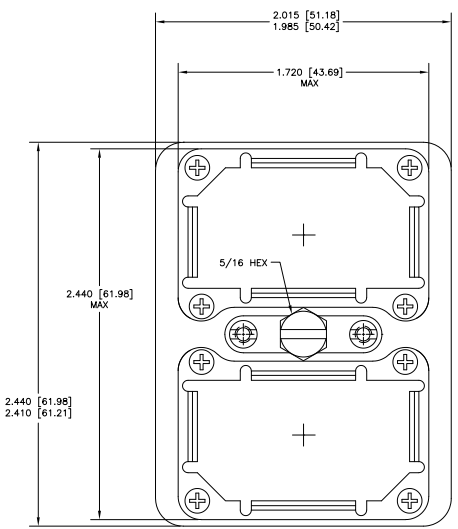


THIS DRAWING IS UNPUBLISHED  
 REPRODUCED FOR INFORMATION  
 ALL RIGHTS RESERVED

REV	DATE	DESCRIPTION	BY	APP'D
R 39				
N		REV PER ECO-11-000793		



INK STAMP PART NO. & DATE CODE  
 .047 [1.19] MIN. HIGH

- MATERIAL & FINISH  
 SHELL: DIE CAST ALUM. ALLOY PER FED SPEC QQ-A-591  
 FINISH: CAD. PLATED PER QQ-P-416, TYPE I, CLASS 2  
 YELLOW CHROMATE CONVERSION.  
 INSULATOR, HARD: EPOXY PER MIL-M-24325.  
 INSULATOR, SOFT: FLUOROSILICONE RUBBER, COLOR: BLUE.  
 GROMMET PROTECTOR: ALUM. ALLOY, FINISH: BLUE EPOXY.  
 POLARIZING POST & NUTS: STAINLESS STEEL.  
 MALE JACKSCREW: STAINLESS STEEL.  
 SCREWS & WASHERS: STEEL, CAD. PLATED PER QQ-P-416.  
 DUST CAP: CLEAR VINYL.

"B"				"C"				"D"			
22	20	16	12	22	20	16	12	22	20	16	12
.736	.827	.782	.793	.797	.893	.893	.893	.737	.700	.824	.824
(18.69)	(21.00)	(19.86)	(20.14)	(20.24)	(22.68)	(22.68)	(22.68)	(18.72)	(17.78)	(20.93)	(20.93)
.688	.769	.725	.746	.769	.865	.865	.865	.688	.585	.746	.746
(17.48)	(19.53)	(18.67)	(18.95)	(19.53)	(21.97)	(21.97)	(21.97)	(17.48)	(14.86)	(18.95)	(18.95)

	INSERT ARRANGEMENT													
	C2	C3	8	C8	D8	26	32C2	33C4	40	40C1	45	57	67	106
"A"	1.201	1.201	1.425	1.201	1.541	1.541	1.595	1.616	1.425	1.595	1.541	1.541	1.425	1.541
MAX	(30.51)	(30.51)	(36.20)	(30.51)	(39.14)	(39.14)	(40.51)	(41.05)	(36.20)	(40.51)	(39.14)	(39.14)	(36.20)	(39.14)

- CONTACTS SHOWN IN POSITION FOR ILLUSTRATION ONLY, ARE INCLUDED IN A CONTAINER WITHIN CONNECTOR PACKAGE FOR SHIPMENT, EXCEPT P/N'S 1-207596-1 THRU 2-207596-0.
- COAX CONTACTS & SEALING BOOTS MUST BE ORDERED SEPARATELY.
- FOR CONTACT SIZE 22 DIMENSION "B" REPRESENTS PIN CONTACTS & DIMENSION "D" REPRESENTS SOCKET CONTACTS.
- ALL METRIC DIMENSIONS ARE SHOWN IN PARENTHESIS.
- FOR MATING CONNECTOR SEE 207595.
- CONNECTORS ORDERED LESS CONTACTS WILL BE MARKED WITH SAME P/N AS CONNECTORS ORDERED WITH CONTACTS.

PART NO.	ARRANGEMENT	PART NO.
207596-1	(106S) (67P)	1-207596-1
207596-2	(106S) (26P)	1-207596-2
207596-3	(106S) (106S)	1-207596-3
207596-4	(106S) (106P)	1-207596-4
207596-5	(106P) (106P)	1-207596-5
207596-6	(106P) (26S)	1-207596-6
207596-7	(106P) (67S)	1-207596-7
207596-8	(106P) (67P)	1-207596-8
207596-9	(106P) (32C2P)	1-207596-9
1-207596-0	(106S) (33C2P)	2-207596-0

THIS DRAWING IS A CONTROLLED DOCUMENT.

INTEGRITY: 23-SEP-03  
 MARSLEY: 23-SEP-03  
 DATE: 23-SEP-03

PLUG CONNECTOR INSTALLATION (WITH CENTER MALE JACKSCREW)

SEE SIZE DRAWING NO. A100779 Q=207596

CUSTOMER DRAWING