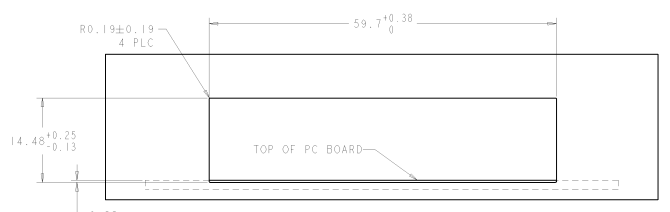
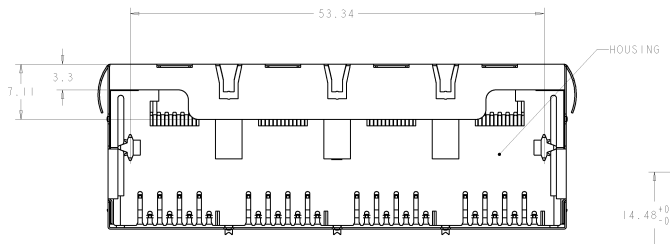
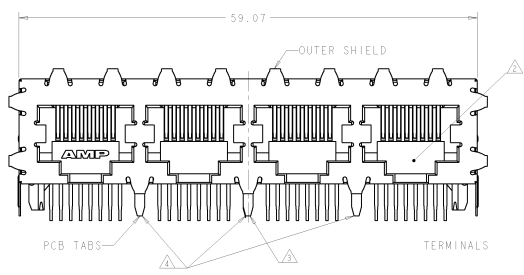
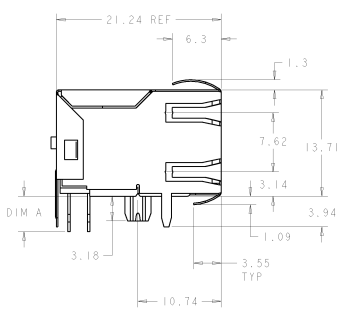
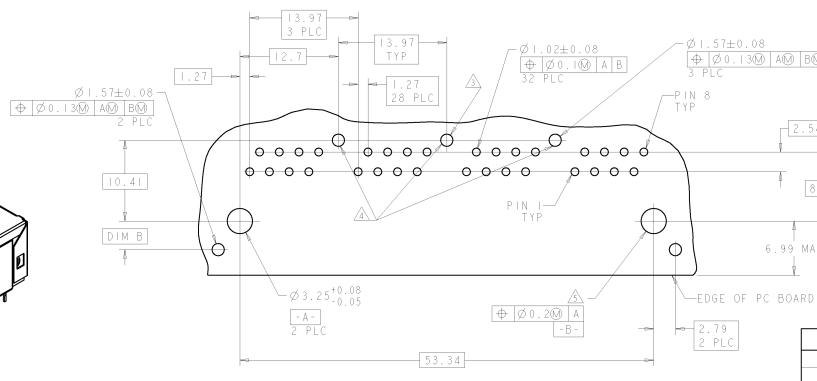
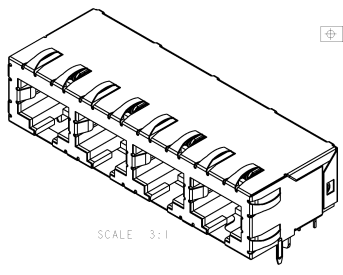


REV	DATE	DESCRIPTION	BY	CHK	APP
AA	22				



SUGGESTED PANEL CUTOUT DIMENSIONS
SCALE 3:1

- MATERIAL: HOUSING - PCT POLYESTER, BLACK, UL 94V-0
TERMINALS: 0.305 THICK PHOS BRONZE PLATED WITH .0013mm MINIMUM THICK HARD GOLD IN LOCALIZED AREA AND .002mm MINIMUM THICK MATTE TIN IN SOLDER AREA OVER .0013mm MINIMUM THICK NICKEL UNDERPLATE SHIELD - .196 THICK COPPER ALLOY PLATED WITH .0013mm MINIMUM NICKEL AND .002mm MINIMUM HOT TIN DIP ON PCB GROUND TABS
- JACK CAVITY CONFORMS TO FCC RULES AND REGULATIONS, PART 68 SUBPART F
- PCB HOLES/TABS USED FOR -3
- PCB HOLES/TABS USED FOR -2 AND -4
- USE #30 DRILL BIT OR 3.25mm DRILL BIT WHEN PRODUCING THESE PCB HOLES
- RECOMMENDED APPLICATIONS: FAST ETHERNET, 10 BASE-T ETHERNET, AND 10/100 BASE-T ETHERNET (CAT 5 TWO PAIR 1/2, 3/6)
- OBsolete PARTS: OBsolete CIS STREAMLINING PER D.RENAUD/D.SMSIS



PC BOARD VIEWED FROM COMPONENT SIDE OF BOARD
SCALE 4:1

DIM B	NUMBER OF REAR PCB TABS	DIM A	PART NO.
3.68	3	3.56	6339167-4
4.57	1	3.56	6339167-3
4.57	3	3.56	6339167-2
4.57	0	3.05	6339167-1

OBsolete

REV	DATE	DESCRIPTION	BY	CHK	APP
AA	22				

STE TE Connectivity

ASSEMBLY, MULTI-PORT 1X4, 8 POSITION, SHIELDED, WAVE PANEL GROUND

114-2068

00779 (2)-6339167